

# Rozino Nano Linear Wall Grazer

## Specification Submittal

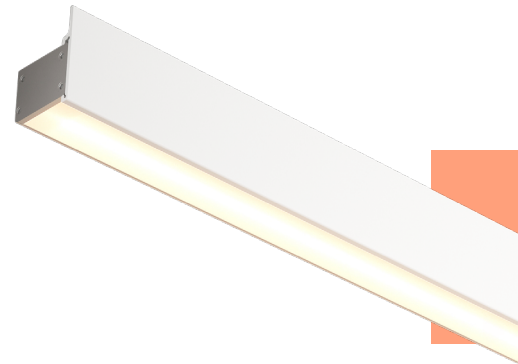
Rozino is one of the most powerful wall grazers in its class with a peak candela of 4400+ and a precise 10° beam angle. It is designed to highlight architectural surface details with unparalleled clarity. Rozino includes a patent-pending paintable fixture cover that can bridge up to 150 feet of individual fixtures to create a continuous monolithic fixture look without unsightly seams, or mounts showing. Painting the pre-primed fixture cover to color-match the ceiling will allow the fixture to blend in with its surroundings. Perfect for both commercial and sophisticated residential settings, Rozino combines aesthetic flexibility with cutting-edge technology to enhance any space.

Project Name:

Project Location:

Fixture Type:

SKUs:

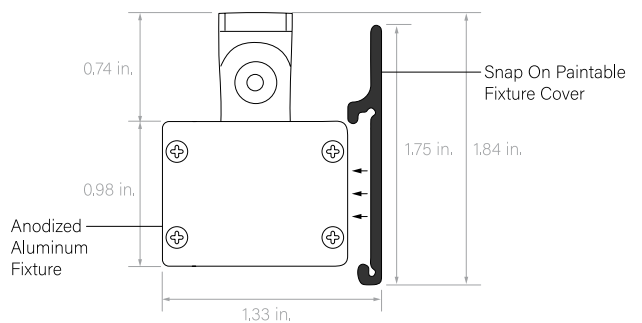


### Features & Benefits

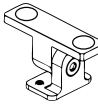
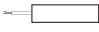

- Designed with a precise 10° beam angle, Rozino effectively highlights architectural details
- Powerful 4400+ peak center beam candela made possible by an advanced multi-element optical system
- Continuous fixture lengths up to 8 ft.
- Continuous, paintable fixture cover for spanning multiple fixtures up to 150 feet
- Low unified glare rating (UGR)
- Pivoting and lockable mounting hardware allow the fixture to be mounted at the best angle for maximum effect
- Canopy kit options available
- Complete UL listed luminaire

### Dimensions Not actual size shown.

#### Fixture Cross Section



### System Builder choose one option for each step.

Prefix	Location	Output	CCT	Lens	Mounting	Finish	Canopy Kit	Length	# of Leads	Lead Length 1	Lead Length 2
OP-SFU-ROZ-	I	L4.5 445 lm/ft* (6W)  * This is for a 3500K tape light	2700K 3000K 3500K 4000K	10D	MH Supply with Mount Hinge (2-Pack)  For every 2 ft. of channel  	ALU	DW Direct Wire  CK Matte White Canopy Kit  NC No canopy kit required	XXX Length in 1 in. increments  - The fixtures come in segments up to 96 in.  - Fixtures up to 96 in. will be assembled at the factory  - If over 96 in., multiple segments of the profile will be supplied.	1LEAD One lead   2LEAD Two leads (one at each end)   - By default leads come out the end of the fixture. If the lead length is followed by the letter "B" it means the lead will come out the BACK of the fixture	XXX 1-120 in.	XXX 1-120 in. <i>Optional</i>

Fixtures are supplied with Optique's remote Universal power supply supporting 0-10, 1-10V, MLV, ELV dimming and voltage input from 100V-277V. Includes integrated junction box.

Expected to ship in July, 2024

# Rozino Nano Linear Wall Grazer

## Specification Submittal

### ◆ Photometry

1 ft., 4000K Rozino Nano Linear Fixture

#### LUMEN SUMMARY

Zone	Lumens	% Fixture
0° - 15°	214 lm	45.63%
0° - 30°	325 lm	69.30%
0° - 45°	403 lm	85.93%
0° - 60°	444 lm	94.67%
0° - 75°	461 lm	98.29%
0° - 90°	465 lm	99.15%

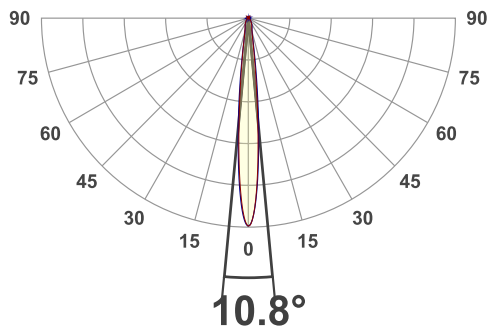
#### FOOT CANDLES

Distance	Foot Candles
1'	4376 fcd
1.5'	1945 fcd
2'	1094 fcd
2.5'	700 fcd
3'	486 fcd
4'	274 fcd
5'	175 fcd
6'	122 fcd
9'	54 fcd
12'	30 fcd

#### COLOR VECTOR GRAPHIC

Hue Bin	R <sub>f</sub>	Graphic shifts (%)	
		Chroma	Hue
1	93	-2%	1%
2	96	-1%	0%
3	96	-1%	-1%
4	92	-4%	-2%
5	90	-7%	-1%
6	94	-4%	1%
7	91	-5%	3%
8	90	-3%	5%
9	87	-1%	10%
10	86	0%	9%
11	87	5%	8%
12	92	4%	1%
13	94	0%	-4%
14	91	7%	-6%
15	90	-1%	-4%
16	89	0%	-5%

#### ANGULAR DISTRIBUTION 0 - 90°



#### BEAM ANGLE

