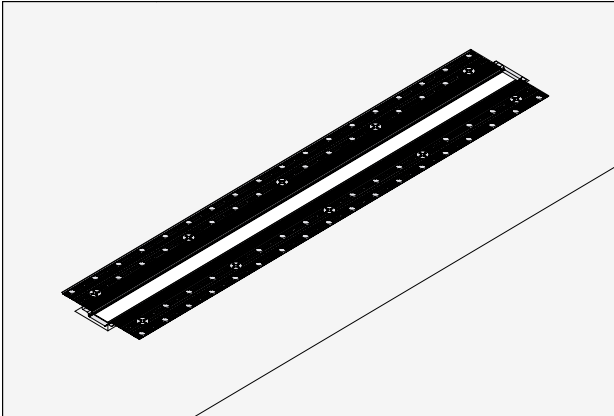


Velino.0 Recessed

Mud-In Luminaire

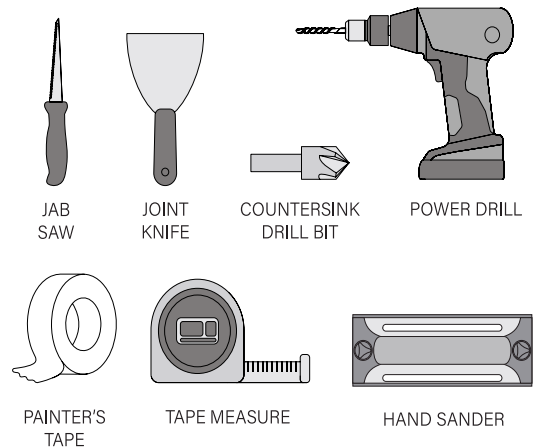


A compact mud-in luminaire engineered for seamless, trimless integration into drywall ceilings or walls. With precision linear optics and an ultra-minimal profile, Velino.0 Recessed Mud-In delivers smooth, uniform illumination that becomes part of the architecture. Its concealed flange-less design provides a clean, uninterrupted plane ideal for modern interiors.

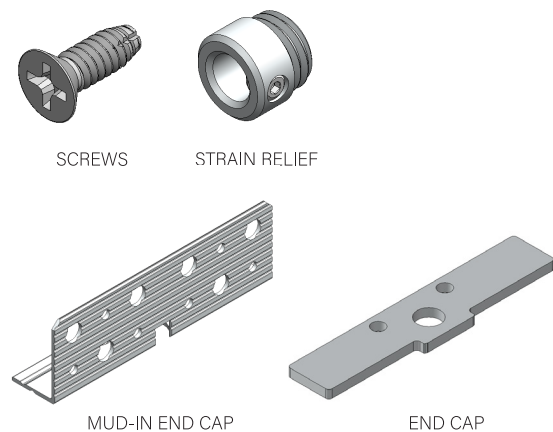
⚠ Important Information

1. Product compatible with 1/2", 5/8", and 3/4" drywall thickness.
2. This product requires a 24V DC Class 2 power supply. Consult with sales at Optique for solutions.
3. Use the larger screw hole to attach the fixture to the drywall instead of the smaller screw holes.
4. Be careful not to over-tighten the drywall screws; tighten them just enough to secure the channel without compressing it.
5. This product can span lengths that are wall-to-wall, or be specified in shorter sections for spot lighting.

⚙ Required Tools



⚙ Supplied Components



The following items may vary according to the configuration, and will be provided as applicable.

Velino.0 Recessed

Mud-In Luminaire

Velino.0 Recessed Installation steps

01.

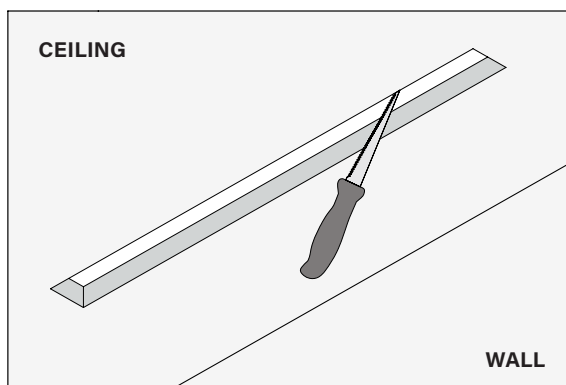
Position the 24V DC Class 2 power supply in a suitable location within 30 feet of the desired fixture location. Power supplies are not provided with the fixture; consult sales at Optique for options.

NOTE:

- Follow NEC and local electrical codes and guidelines for proper installation.
- Longer distances are acceptable when using a thicker 12 AWG wire.

02.

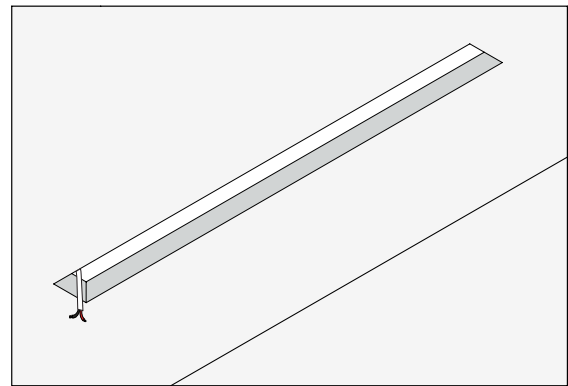
Cut a 1-1/8 in. opening where you would like to mount the fixture.



NOTE: Recommended distance for the Velino Mud-In Asymmetrical is 12 in. - 18 in. from the wall to be washed.

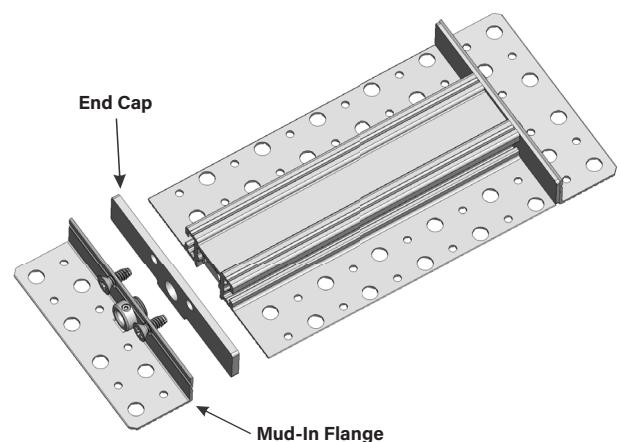
03.

Bring power to a point through the drywall that will match the position of the fixture's cable conduit.



04.

Assemble each end cap at the ends of the fixture with two flat head screws provided. Assemble the mud-in flange for short run configurations where the fixture falls short of reaching a wall.

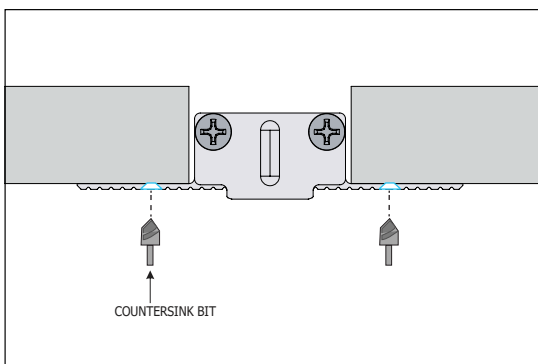


Velino.0 Recessed

Mud-In Luminaire

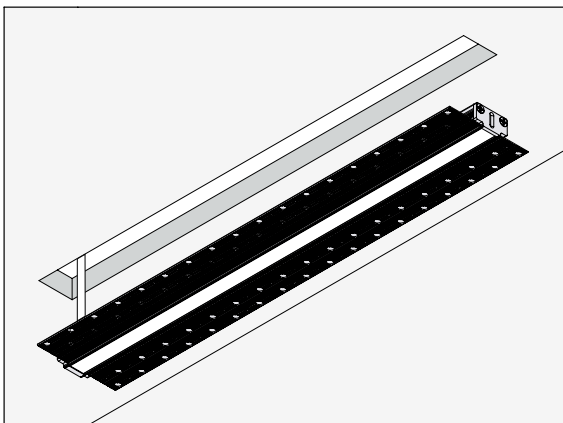
05.

Carefully countersink the holes in the mud-in flanges where the drywall screws will be placed. Recommended screw spacing is every 4 in.



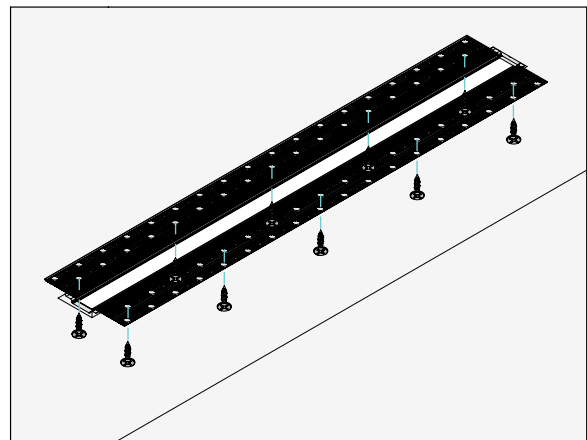
06.

Locate the Positive (+) and Negative (-) leads on both the power supply and the fixture's input cable. Make all electrical connections using code-compliant, approved connectors in accordance with local electrical codes and project specifications, ensuring proper polarity (positive to positive, negative to negative).



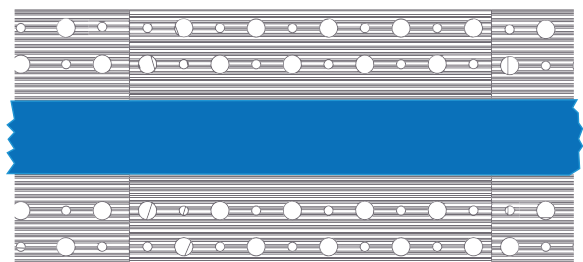
07.

Secure the fixture to the drywall using drywall screws at the countersink points. Recommended screw spacing is every 4 in.



08.

Cover the lens or diffuser with painter's tape if necessary, to prevent joint compound and dust from entering.

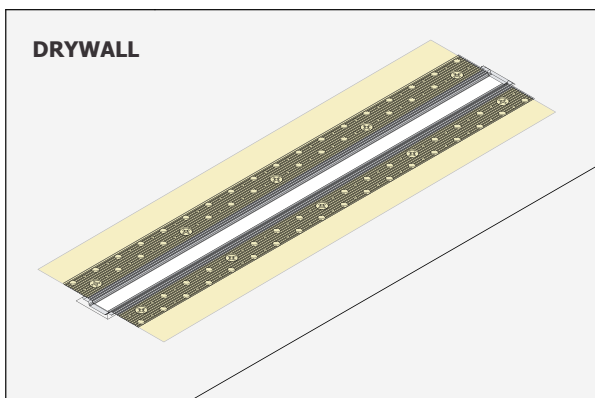


Velino.0 Recessed

Mud-In Luminaire

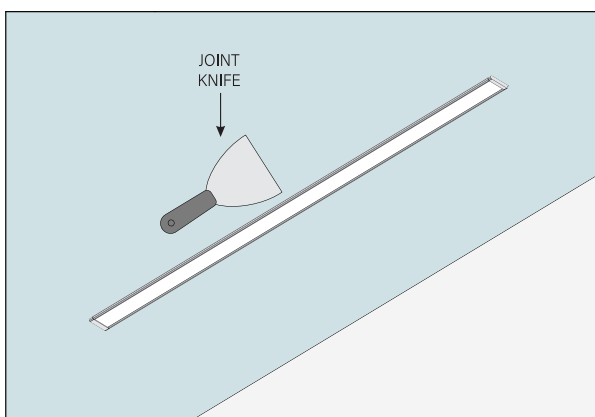
09.

Apply drywall tape along the edges of the fixture to prevent the joint compound from cracking after installation, and smooth the tape flush.



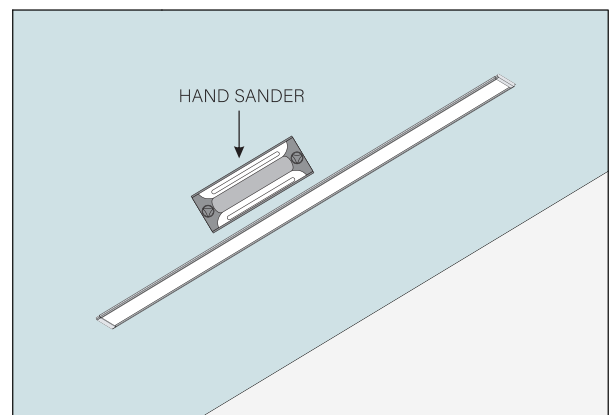
10.

Apply joint compound mud to the mud-in flanges with a joint knife, covering the flanges and screw heads, and smooth the mud joint.



11.

Once dry, use the hand sander to smooth the mud to make a seamless look with the drywall. Then remove the painter's tape.



12.

Paint or finish the wall as desired. Turn on lights.

