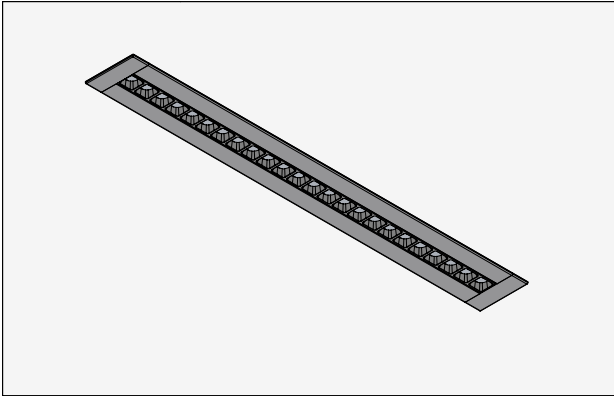


Velino.0 Recessed

Recessed with Flange for Wood/Drywall Applications



A recessed luminaire with a minimal flange designed for clean installation in drywall and wood surfaces without needing to finish the edges of the recess. Velino.0 Recessed Flanged provides comfortable, low-glare illumination with precision optics, offering a modern, architectural lighting solution with plug-and-play mounting.

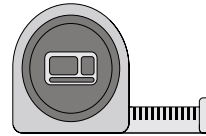
⚠ Important Information

1. Velino.0 Recessed with linear optics or diffusers is compatible with 1/2 in., 5/8 in., and 3/4 in. drywall.
2. Velino.0 Recessed with dark optics is compatible with 5/8" and 3/4" drywall.
3. This product requires a 24V DC Class 2 power supply. Consult with sales at Optique for solutions.
4. This product can be ceiling mounted or wall mounted, and span lengths that are wall-to-wall, or be specified in shorter sections for spot or feature lighting.

⚙ Required Tools



JAB
SAW



TAPE MEASURE

Velino.0 Recessed

Recessed with Flange for Wood/Drywall Applications

✂ Velino.0 Recessed Installation steps

01.

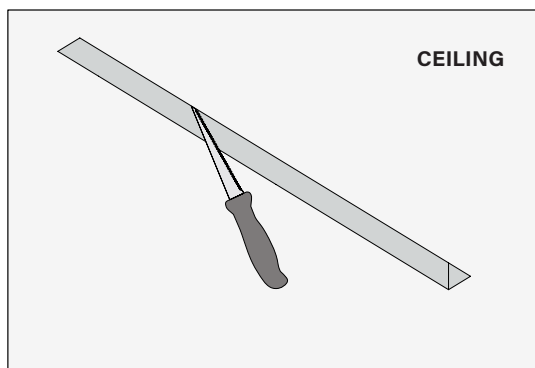
Position the 24V DC Class 2 power supply in a suitable location within 30 feet of the desired fixture location. Power supplies are not provided with the fixture; consult sales at Optique for options.

NOTE:

- Follow NEC and local electrical codes and guidelines for proper installation.
- Longer distances are acceptable when using a thicker 12 AWG wire.

02.

Cut a 3/4" wide slot in the ceiling surface where you would like to mount the fixture.

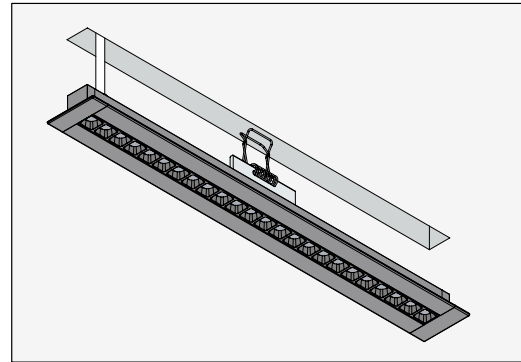


03.

Bring power to a point through the drywall that will match the position of the fixture's cable conduit.

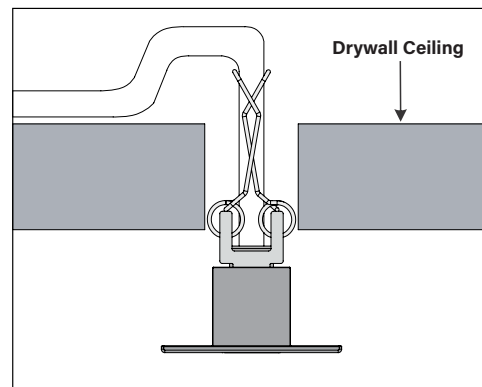
04.

Locate the Positive (+) and Negative (-) leads on both the power supply and the fixture's input cable. Make all electrical connections using code-compliant, approved connectors in accordance with local electrical codes and project specifications, ensuring proper polarity (positive to positive, negative to negative).



05.

Hold both spring clips of the joiner as shown in the image. Then insert the channel into the slot until flanges sit perfectly on the drywall as the spring clips clamp the top of the ceiling surface.

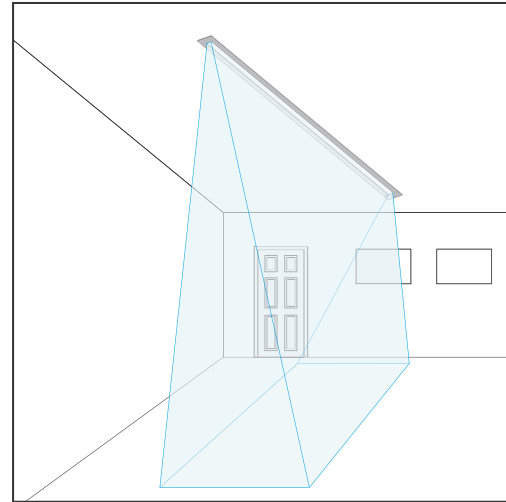
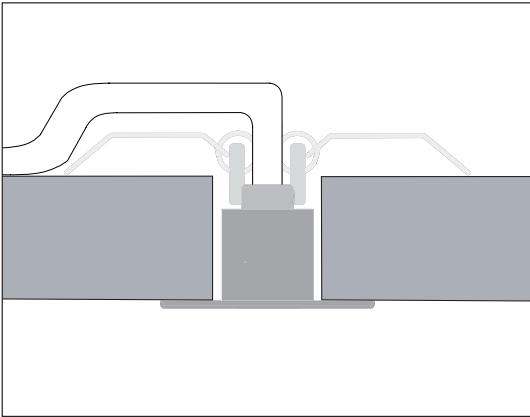


Velino.0 Recessed

Recessed with Flange for Wood/Drywall Applications

06.

Make sure the channel flanges sits evenly on the surface.



07.

Turn on lights to check the light source is working properly.

