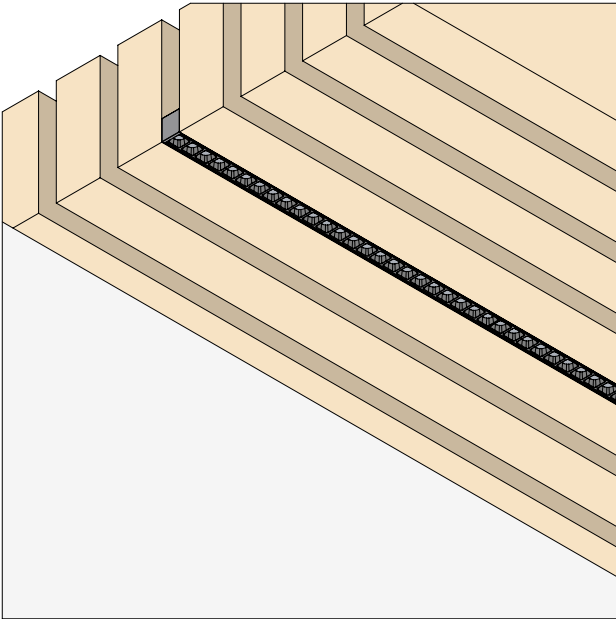


# Velino.0 Slat

Slat Walls & Ceilings Applications

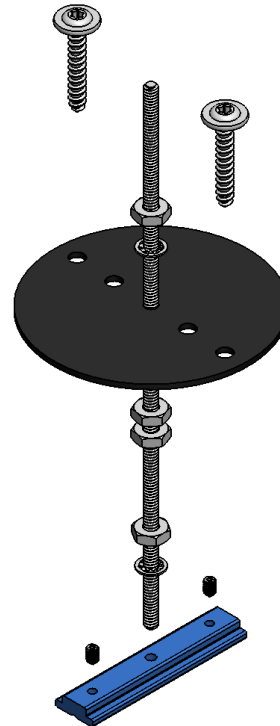


A 5/8" slim linear luminaire engineered for seamless integration with slat walls and ceilings with a 3/4" or wider gap. Featuring precision linear optics, Velino.0 Slat delivers smooth, uniform illumination that enhances material depth, highlights vertical features, and adds clean architectural lighting to contemporary interiors.

## ⚠ Important Information

1. Designed for slat walls or ceilings with 3/4" or wider gaps.
2. Slim 5/8" profile fits cleanly between wood slats.
3. This product requires a 24V DC Class 2 power supply.

## ⚙ Supplied Components



Velino - Slat Ceiling Joiner Kit

Supplied with Mounting Plate  
6-32 Threaded Rod x 6"  
2 x No. 6 Lock Washer  
4 x 6-32 Nut  
2 x Flanged Wood Screw  
2 x 4-40 x 0.1875" cone point set screw

# Velino.0 Slat

## Slat Walls & Ceilings Applications

### Velino.0 Slat Installation steps

#### 01.

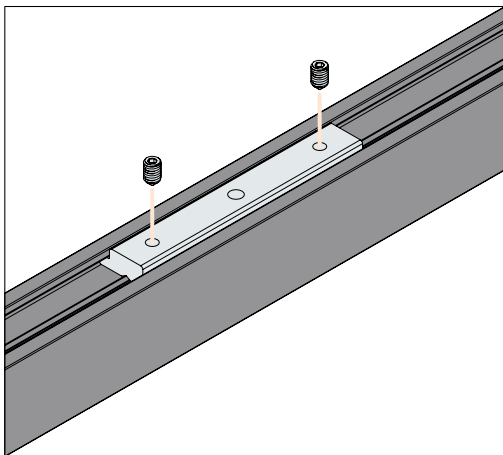
Position the 24V DC Class 2 power supply in a suitable location within 30 feet of the desired fixture location. Power supplies are not provided with the fixture; consult sales at Optique for options.

#### NOTE:

- Follow NEC and local electrical codes and guidelines for proper installation.
- Longer distances are acceptable when using a thicker 12 AWG wire.

#### 02.

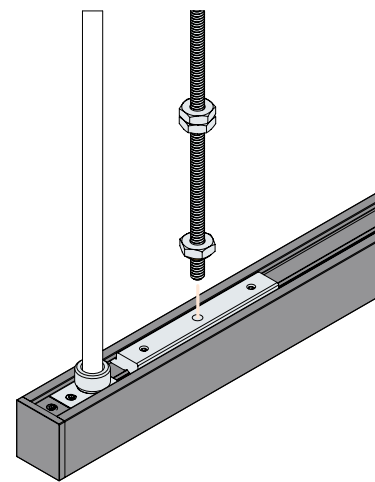
Position the joiner at the desired location and secure it in place using provided set screws.



NOTE: A mounting joiner for every two foot length of channel is recommended for secure and level installation.

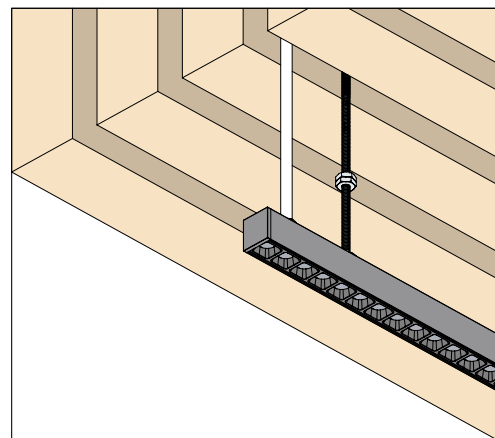
#### 03.

Thread the threaded rod into the previously secured joiner, then secure it with a lock washer and a nut as shown in the image below.



#### 04.

Position the fixture in the desired place within the suspended slat ceiling, then position and tighten the jam nuts to be flush to the top of the mounting surface.

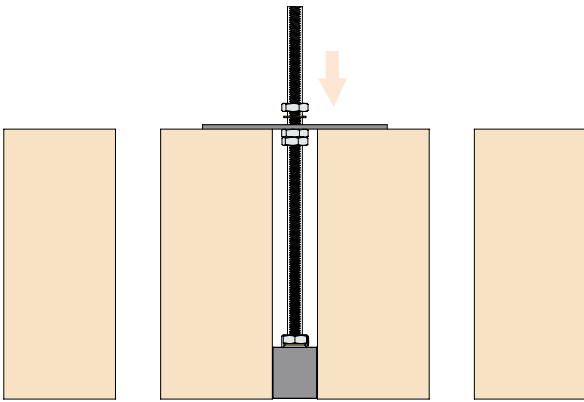


# Velino.0 Slat

## Slat Walls & Ceilings Applications

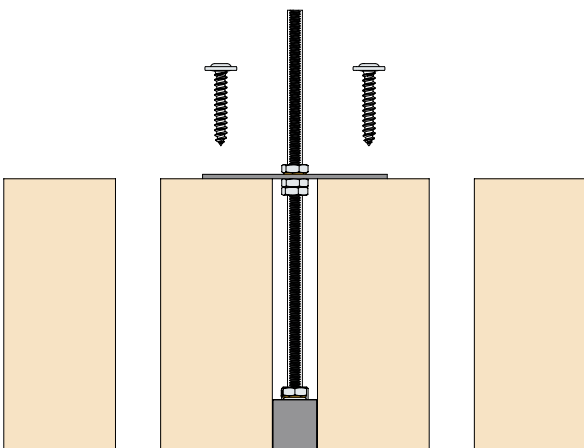
### 05.

Place a mounting plate onto each threaded rod till they rest on top of the jam nuts. Then thread the remaining nut down till it compresses the remaining lock washer against to the mounting plate to fix it in place.



### 06.

Fasten the plate to the mounting surface with the flanged wood screws, making sure it is properly seated against the slat ceiling.



### 07.

Locate the Positive (+) and Negative (-) leads on both the power supply and the fixture's input cable. Make all electrical connections using code-compliant, approved connectors in accordance with local electrical codes and project specifications, ensuring proper polarity (positive to positive, negative to negative).

### 08.

Turn on lights to check the fixture is working properly.

