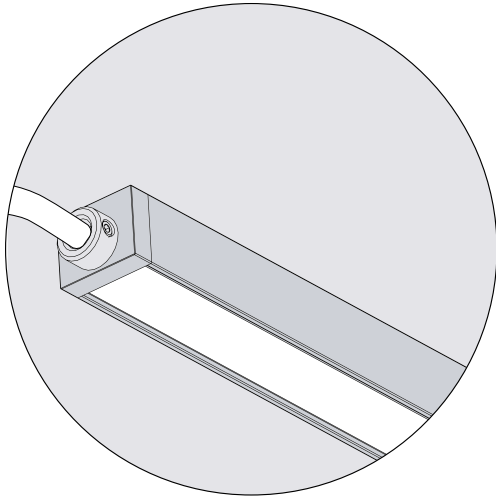


Velino.0 Surface

Surface-Mount Instructions

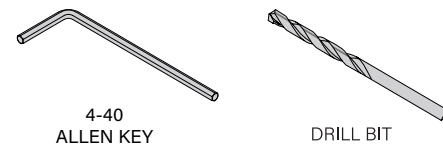
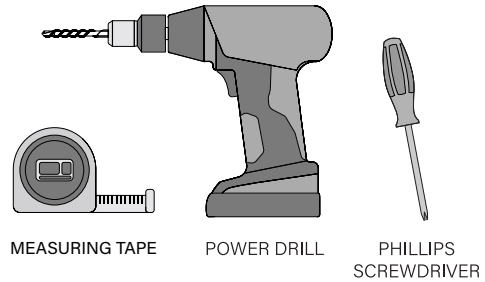


A compact surface-mount linear luminaire engineered for clean and simple installation directly onto drywall, wood, shelving, and millwork. Featuring precision linear optics, Velino.0 Surface delivers smooth, uniform illumination ideal for task areas, display lighting, undercabinet illumination, and general architectural applications.

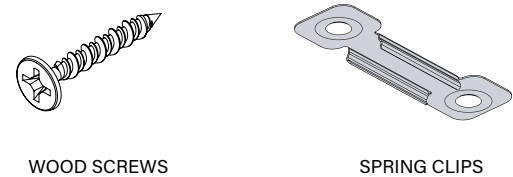
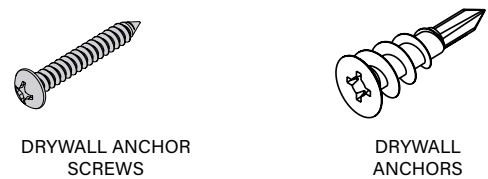
⚠ Important Information

1. This product requires a 24V DC Class 2 power supply.
2. This product is intended to be mounted on a ceiling or wall.
3. Optique recommends drilling fixture supports into joists in the ceiling. (The following instructions depict the installation using drywall anchors.)

⚙ Required Tools



⚙ Supplied Components



Velino.0 Surface

Surface-Mount Instructions

✂ Section One.

1.1

Determine where the fixture is going to be installed. Prepare the mounting surface by removing any dirt, debris or moisture.

1.2

Position the 24V DC Class 2 power supply in a suitable location within 30 feet of the desired fixture location. Power supplies are not provided with the fixture; consult sales at Optique for options.

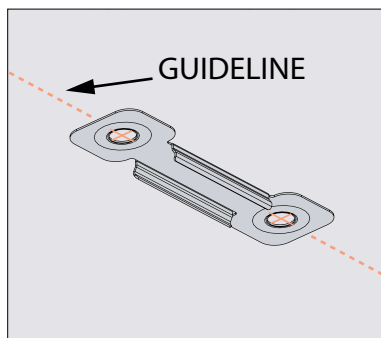
NOTE:

- Follow NEC and local electrical codes and guidelines for proper installation.
- Longer distances are acceptable when using a thicker 12 AWG wire.

✂ Section two. Installation: Brackets

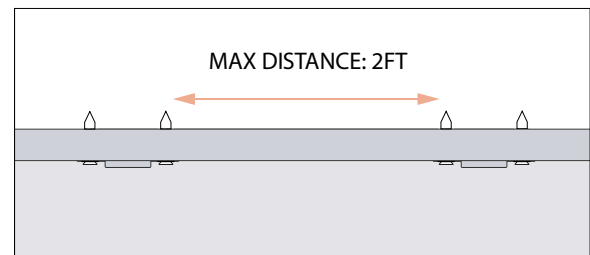
2.1

Draw guideline for mounting clips with a ruler and pencil. Place the clips over the drawn line and mark the holes for drilling.



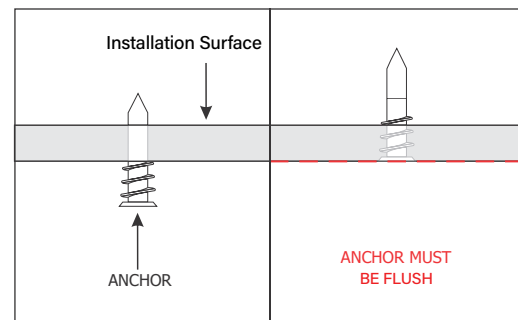
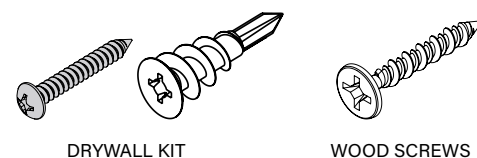
2.2

A mounting spring clip for every two foot length of channel is recommended for secure and level installation.



2.3

Select the best anchor for your installation material; drill the required holes at the marked points, and install the anchors flush to the surface.



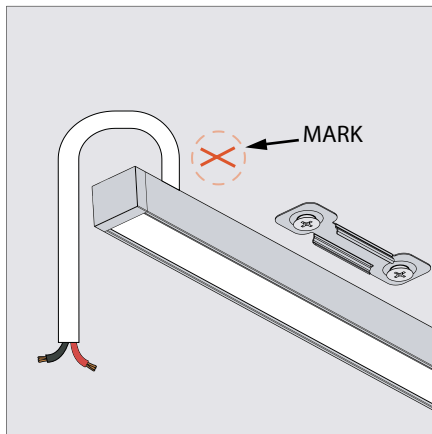
Velino.0 Surface

Surface-Mount Instructions

✂ Section Three: Part A Installation: Back Lead

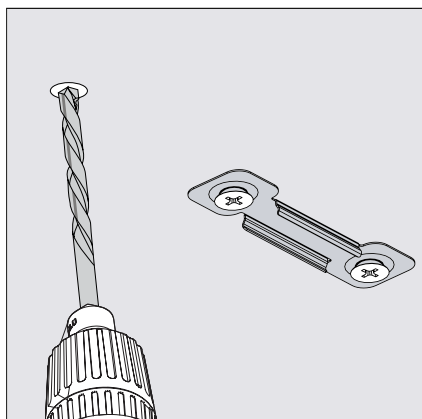
3.1A

With the brackets installed, position the fixture where it will be mounted and draw a mark where the power cord will pass through.



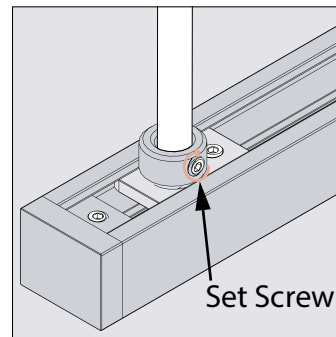
3.2A

Drill an 3/8" hole at the drawn mark.



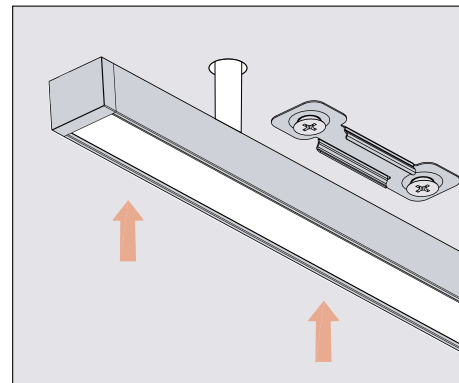
3.3A

Secure cable in position by tightening strain relief set screw of the Velino fixture.



3.4A

Gently push the fixture against the spring clip brackets, guiding the cable and strain relief into the drilled hole.



3.5A

Locate the Positive (+) and Negative (-) leads on both the power supply and the fixture's input cable. Make all electrical connections in accordance with local electrical codes.

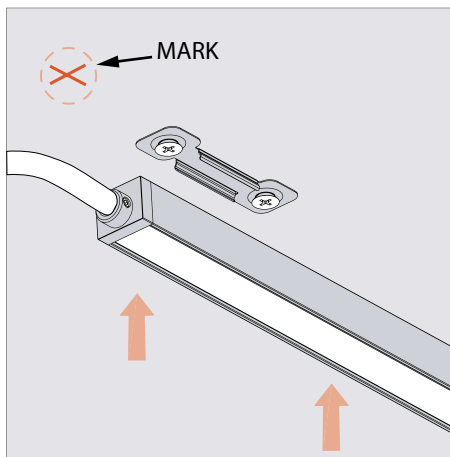
Velino.0 Surface

Surface-Mount Instructions

✂ Section Three: Part B Installation: Side Lead

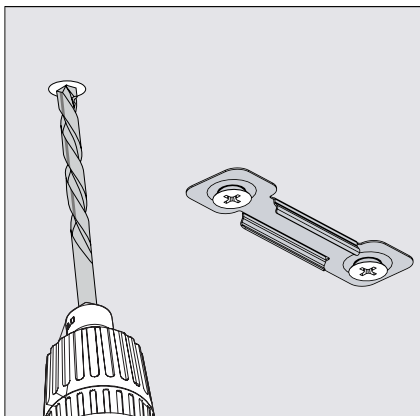
3.1B

With the brackets installed, over-place the fixture in position and draw a mark for the lead.



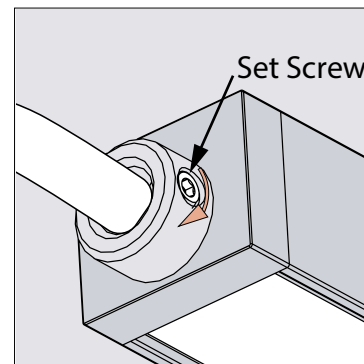
3.2B

Drill an 3/8" hole at the drawn mark.



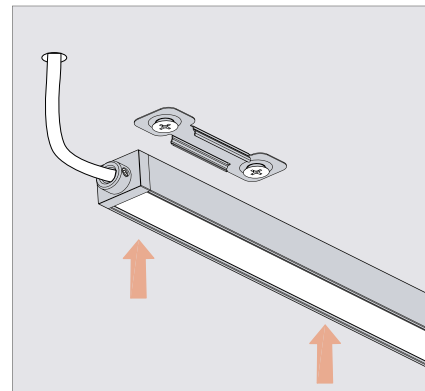
3.3B

Secure cable in position by tightening strain relief set screw of the Velino fixture.



3.4B

Gently push the fixture against the spring clip brackets, guiding the cable and strain relief into the drilled hole.



3.5B

Locate the Positive (+) and Negative (-) leads on both the power supply and the fixture's input cable. Make all electrical connections in accordance with local electrical codes.