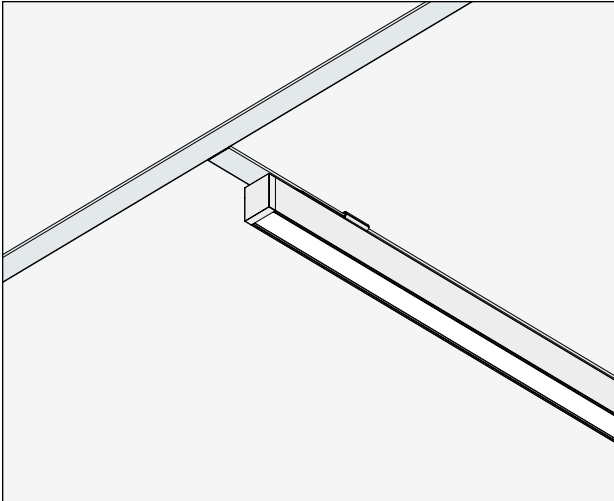


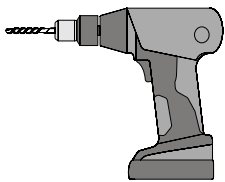
# Velino.0 T-Grid Clip-On

Lay-In & Tegular T-Grid Clip-On Applications

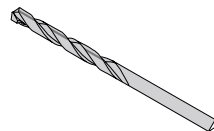


A discreet, surface-mount linear luminaire, precision-engineered for seamless integration into lay-in T-grid ceilings. With beam angle options and refined finishes, Velino delivers controlled, uniform illumination while aligning perfectly with the T-grid beam to maintain a clean, cohesive ceiling aesthetic.

## Required Tools



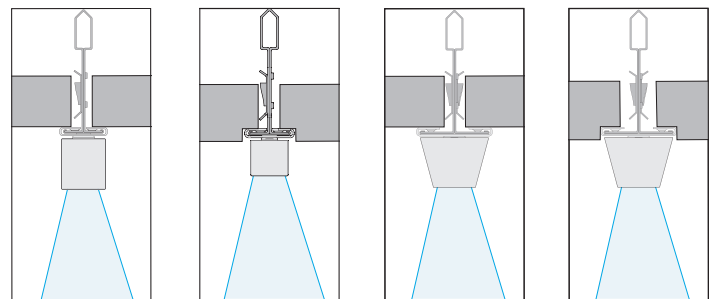
POWER DRILL



1/4 DRILL BIT

## Important Information

1. This product requires a 24V DC Class 2 power supply. Consult with sales at Optique for solutions.
2. Clip-on system for 9/16 in. and 15/16 in. lay-in or tegular T-Grid ceilings, providing clean, tool-free integration.
3. This manual illustrates standard installation for a typical lay-in and tegular 15/16 in. or 9/16 in. T-Grid ceiling system. Individual site conditions may vary; ensure your specific ceiling beam profile is compatible with the provided joiner kit, and meets regulations for mounting T-Grid in the jurisdiction it will be installed.



Lay-in 9/16 in.  
T-Grid Ceiling

Tegular 9/16 in.  
T-Grid Ceiling

Lay-in 15/16 in.  
T-Grid Ceiling

Tegular 15/16 in.  
T-Grid Ceiling

# Velino.0 T-Grid Clip-On

Lay-In & Tegular T-Grid Clip-On Applications

## Velino.0 T-Grid Clip-On Installation steps

### 01.

Position the 24V DC Class 2 power supply in a suitable location within 30 feet of the desired fixture location. Power supplies are not provided with the fixture; consult sales at Optique for options.

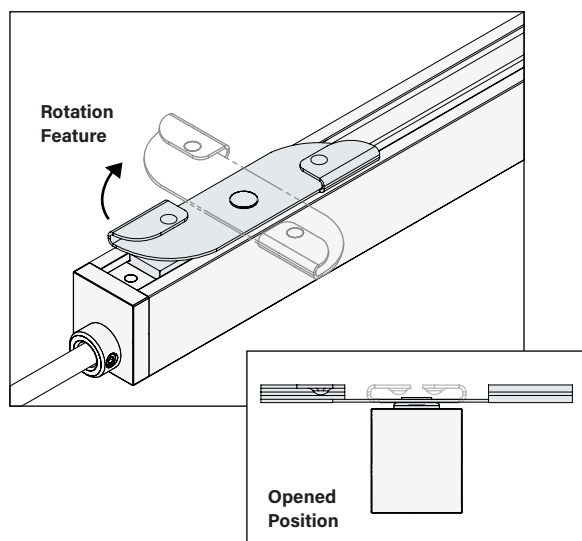
#### NOTE:

- Follow NEC and local electrical codes and guidelines for proper installation.
- Longer distances are acceptable when using a thicker 12 AWG wire.

### 02.

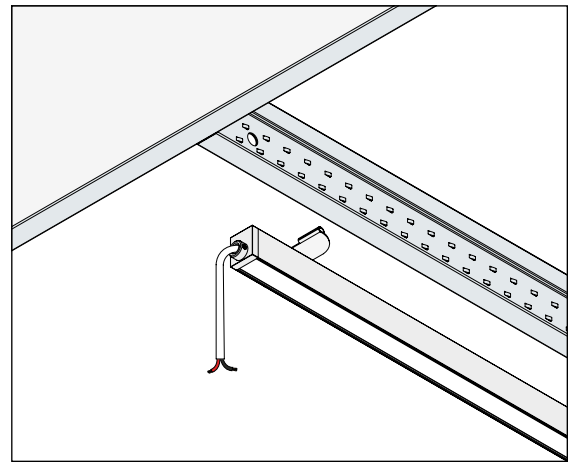
Before positioning the fixture, ensure the T-grid clamps on the joiner kit are in the open position.

NOTE: Use a T-grid joiner kit every 2 ft.



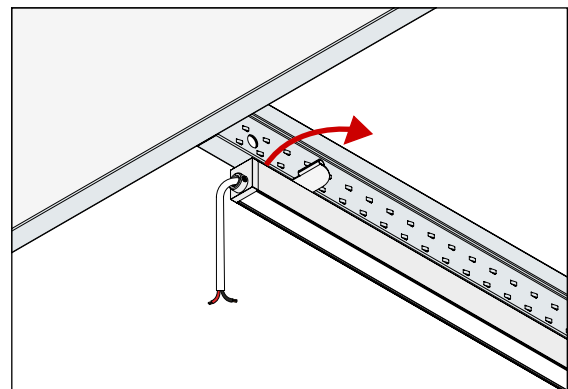
### 03.

Carefully lift and slide the ceiling tiles adjacent to the installation area to gain access to the T-grid structure. Ensure the tiles are moved far enough to provide adequate clearance for the joiner kit and wiring without damaging the tile edges.



### 04.

Once opened, place the clamp over the T-bar and ensure it is properly positioned to be locked into place.



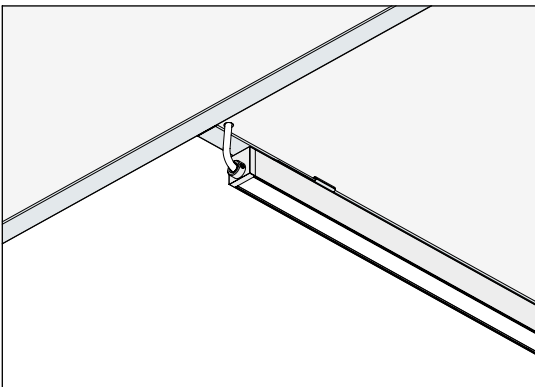
# Velino.0 T-Grid Clip-On

Lay-In & Tegular T-Grid Clip-On Applications

## 05.

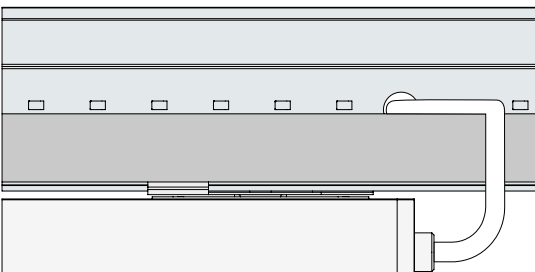
Identify the adjacent ceiling tile through which the power cable will pass. Using a 1/4 in. drill bit carefully create an opening large enough to allow the cable to pass through without cable tension.

a. Feed the power supply cable through the newly created opening. Then slide the tile back into position within the T-grid, ensuring it sits flush and level.



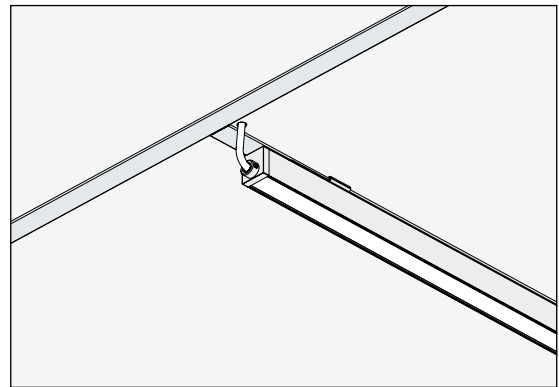
## 06.

Locate the Positive (+) and Negative (-) leads on both the power supply and the fixture's input cable. Make all electrical connections using code-compliant, approved connectors in accordance with local electrical codes and project specifications, ensuring proper polarity (positive to positive, negative to negative).



## 07.

Once the wiring is complete, tuck the connected wires above the ceiling tile and slide the ceiling tiles back into their original positions within the T-grid.



## 08.

Turn the switch on. If the fixture does not illuminate, immediately turn off the power and double-check the wiring.

