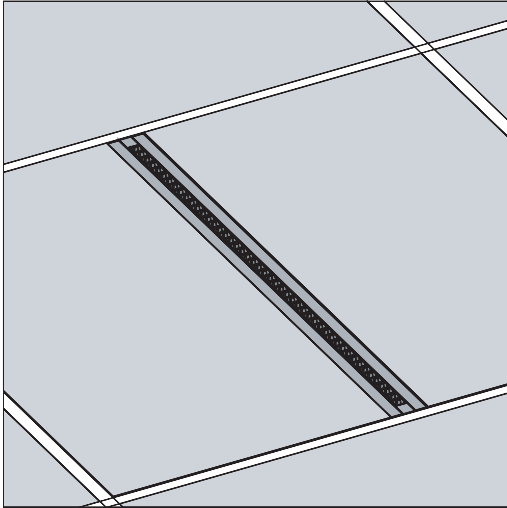


Velino.0 T-Grid Recessed

Any T-Grid Recessed Applications

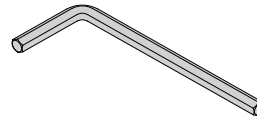


A discreet recessed linear luminaire precision-engineered for seamless integration into T-Grid ceiling panels. Because it recesses directly into the tile, it is compatible with any T-Grid size or profile, offering unmatched flexibility across ceiling systems.

⚠ Important Information

1. This product requires a 24V DC Class 2 power supply.
2. This product is intended to be positioned on T-Grid ceiling beams and held in place with independent support wire.
3. This manual illustrates a standard installation for any T-grid recessed ceiling.

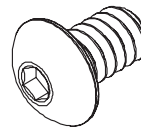
⚙ Required Tools



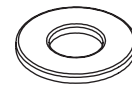
1/4-20
ALLEN KEY

⚙ Supplied Components

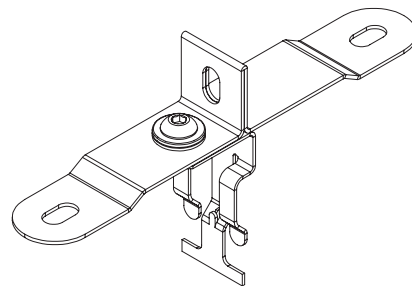
JUNCTION BOX COMPONENTS



1/4-20 BUTTON
HEAD SCREW



1/4-20
WASHER



T-GRID
JOINER BRACKET

Velino.0 T-Grid Recessed

Any T-Grid Recessed Applications

✂ Velino.0 T-Grid Recessed Installation steps

01.

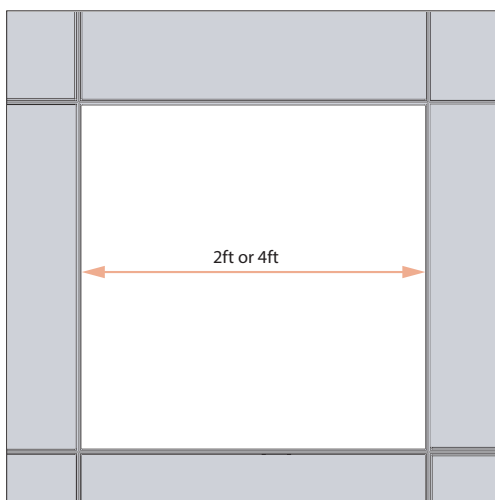
Position the 24V DC Class 2 power supply in a suitable location within 30 feet of the desired fixture location. Power supplies are not provided with the fixture; consult sales at Optique for options.

NOTE:

- Follow NEC and local electrical codes and guidelines for proper installation.
- Run CL2P plenum-rated cable from the power supply to the luminaire.

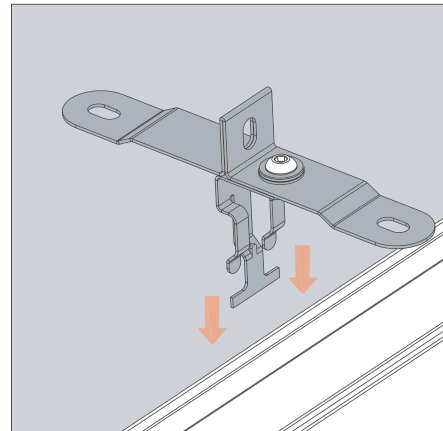
02.

Remove the ceiling tile from the T-Grid structure where you want the luminaire located.



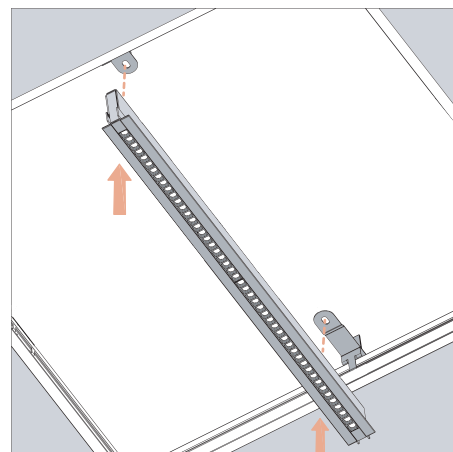
03

Install the two T-Grid mounting brackets on opposing T-Grid beams at either end of where the luminaire will be mounted. Standard installation is to place the brackets in the middle of the T-Grid opening and panel.



04.

Install the luminaire, by lifting it through the opening and turning it into place so the bottom of the luminaire sits on the beams under the bracket positions.

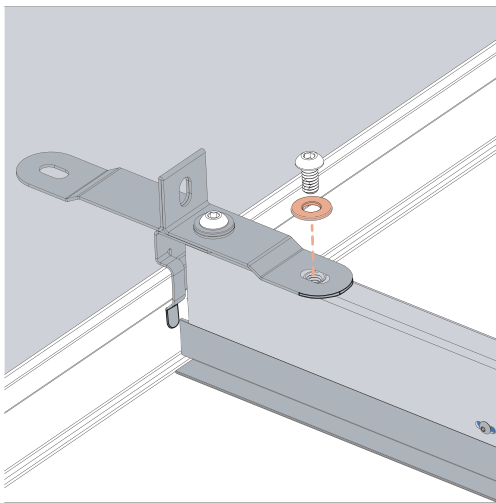


Velino.0 T-Grid Recessed

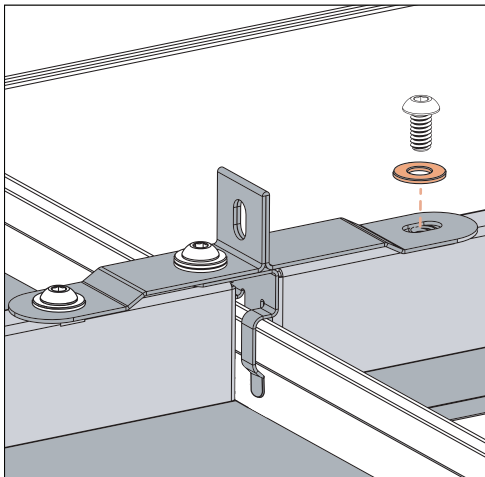
Any T-Grid Recessed Applications

05.

Secure the luminaire to the two brackets using the hardware provided, screwing through the brackets and into the top of the housing.

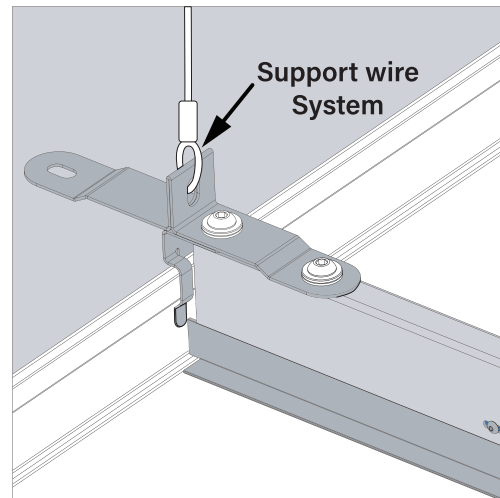


b. For daisy chain configurations, secure the luminaire next in line at the second slot of the bracket using the hardware provided.

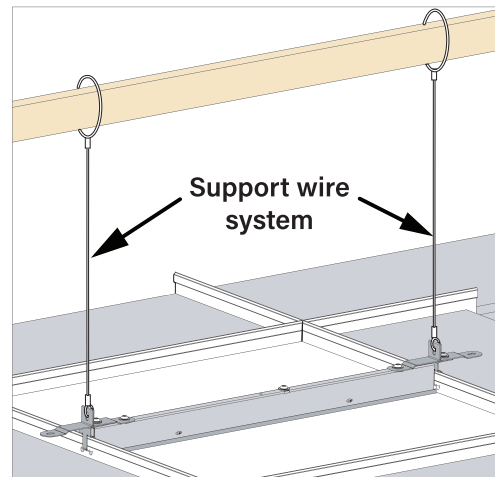


06.

Secure the Luminaire fixture to the structure by using installer preferred drop-wire for independent support. The slot in the bracket also fits wire hooks up to 1/4" in diameter.



NOTE: When securing the luminaire, do not lift the luminaire off the T-Grid beam, keeping the underside of the flanges flush to the underside of the the T-Grid beam.

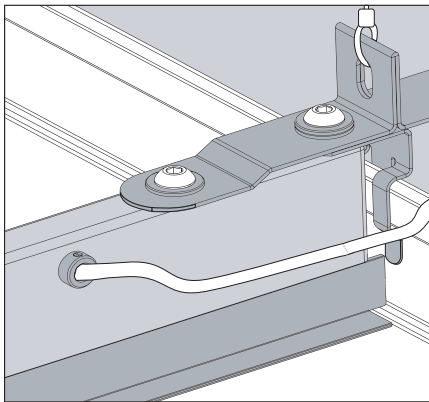


Velino.0 T-Grid Recessed

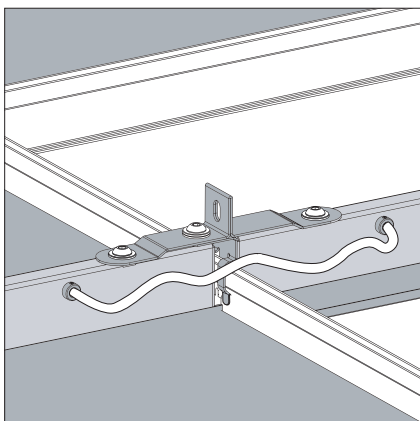
Any T-Grid Recessed Applications

07.

Locate the Positive (+) and Negative (-) leads on both the power supply and the fixture's input cable. Make all electrical connections ensuring proper polarity (positive to positive, negative to negative).



a. For daisy chain configuration locate the Positive (+) and Negative (-) leads on both fixture's strain reliefs. Make all electrical connections ensuring proper polarity (positive to positive, negative to negative).



08.

Where the luminaire is perfectly installed in the center of the opening, cut the ceiling tile in two lengthwise, and trim 3/8" off of one edge of each half; reinstall the panels onto the T-Grid beam and luminaire flanges. For luminaires offset from the center, measure the distance from the sides of the luminaire above the flanges to the T-Grid beam and cut the panel accordingly.

NOTE: Pre-order panels pre-cut to size for efficient installation. For tegular tile, trim the cut edges to match the tegular tile perimeter.

