

# Armadio Nano Linear Fixture

## Specification Submittal

Both on-trend and timeless, our polished Armadio collection is the world's strongest closet rod luminaire. Armadio is easy to install with a three-piece mounting system and hidden screw holes for enhanced aesthetics.



Project Name:

Project Location:

Fixture Type:

SKUs:

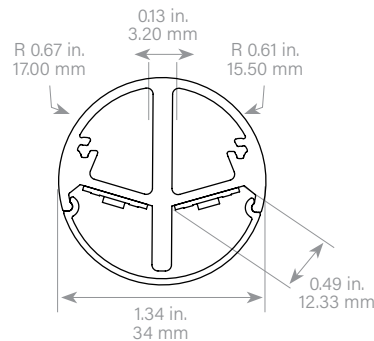


### Features & Benefits

- World's strongest illuminated hanger bar
- Available in continuous lengths up to 8 ft.
- Innovative mounting system for easy installation and screw-free finish
- Fixed and adjustable supports are available
- Available in two unique finishes to match your decor
- Superior color rendering
- High R9 and R13 values
- 2-step MacAdam ellipse for unparalleled quality and consistency
- UL Listed and Title 24

### Dimensions Not actual size shown.

#### Fixture Cross Section




### System Builder Choose one option for each step.

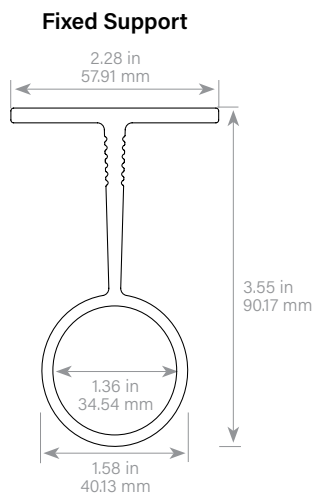
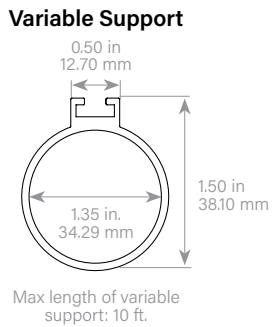
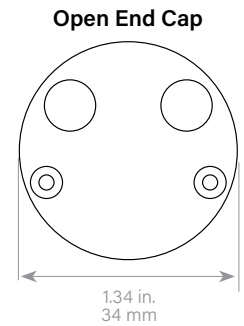
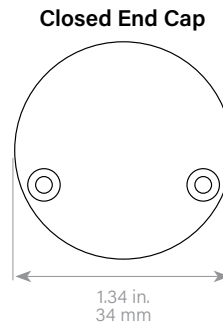
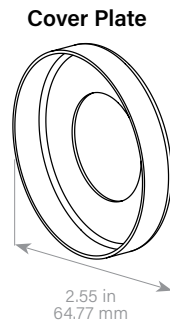
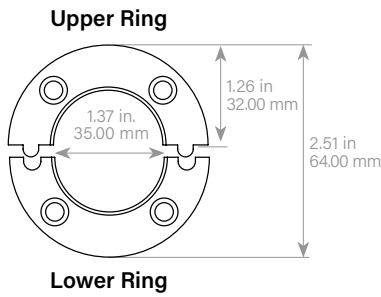
Prefix	Location	Output	CCT**	Lens	Finish	Mounting	Length A	Length B	# of Leads	Lead Length 1	Lead Length 2
OP-CLO-ARMA-	I			FRT							
		<i>White Light</i>	<i>White Light</i>			<b>FSUPX</b> Fixed Support 	<b>Inches</b> <b>1-96</b> 1 in. increments between 1 in. and 96 in.	<b>1/8 inches</b> <b>125</b> 1/8 in. <b>250</b> 1/4 in. <b>375</b> 3/8 in. <b>500</b> 1/2 in. <b>625</b> 5/8 in. <b>750</b> 3/4 in. <b>875</b> 7/8 in. <b>000</b> N/A	<b>1LEAD</b> One lead  <b>2LEAD</b> Two leads (one at each end)  <i>- By default leads come out the end of the fixture. If the lead length is followed by the letter "B" it means the lead will come out the BACK of the fixture</i>	<b>XXX</b> 1-120 in.	<b>XXX</b> 1-120 in.
		<i>Tunable</i>	<i>Tunable</i>			<b>VSUPX</b> Variable Hanging Support  <b>NSUP</b> No Supports 					
		<b>L2</b> 167 lm/ft* (2.0W)	<b>2200K</b>								
		<b>L4</b> 377 lm/ft* (4.0W)	<b>2400K</b>								
		<b>L6</b> 587 lm/ft* (6.2W)	<b>2700K</b>								
		<b>L8</b> 792 lm/ft* (8.6W)	<b>3000K</b>								
		<b>L12</b> 1205 lm/ft* (13.2W) <i>*This is for a 3500K tape light</i>	<b>3500K</b>								
		<b>L4</b> 458 lm/ft (6.8W)	<b>4000K</b>								
		<b>L8</b> 792 lm/ft (12.0W)	<b>5000K</b>								
			<b>30-18K</b>								

Fixtures are supplied with Optique's remote Universal power supply supporting 0-10, 1-10V, MLV, ELV dimming and voltage input from 100V-277V. Includes integrated junction box.

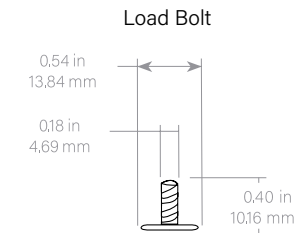
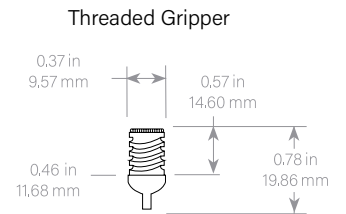
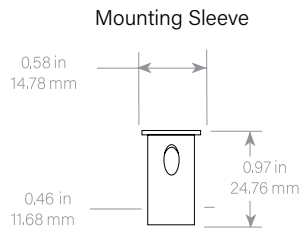
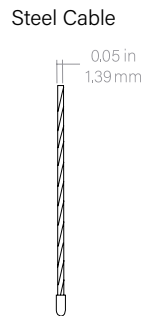
## Armadio Nano Linear Fixture

### Specification Submittal

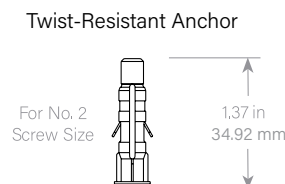
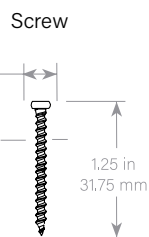
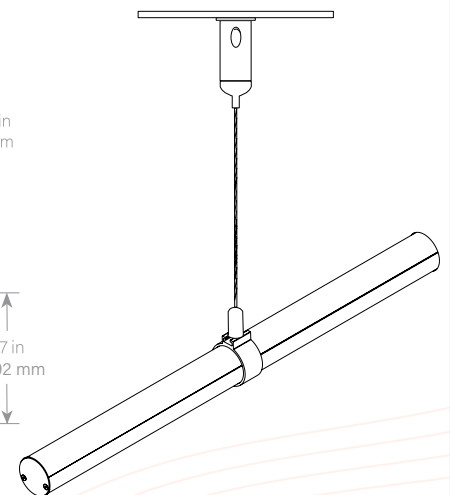
 **Accessories** Screws are included in the mounting kits.



#### Variable Support Components




#### Assembled Fixture Using Variable Support



# Armadio Nano Linear Fixture

## Specification Submittal

 Output

*White Light*

L-Level	L2	L4	L6	L8	L12	
Lumens (per ft.)	2200K	142	305	434	643	1037
	2400K	145	308	482	652	977
	2700K	172	366	572	775	1175
	3000K	169	355	556	751	1134
	3500K	167	377	587	792	1205
	4000K	182	380	588	747	1207
	5000K	186	389	596	813	1221
Wattage* (per ft.)	2.0	4.0	6.2	8.6	13.2	
Max Run Length** (ft.)	68	42	30	22	14	
Closet Rated	✓	✓	✓	✓	✓	

*Tunable*

Output (lm/ft)	L4	L8
Lumens (per ft.) 30-18K	458	792
Wattage* (per ft.)	6.8	12.0
Max Run Length** (ft.)	20	12
Closet Rated	✓	✓

\*Power consumption based on average wattage per foot.

\*\*Maximum run length per power feed.

# Armadio Nano Linear Fixture

## Specification Submittal

### ✦ Photometry

1 ft., 3000K Armadio Nano Linear Fixture

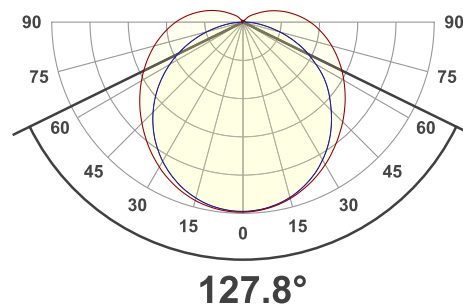
#### LUMEN SUMMARY

Zone	Lumens	% Fixture
0° - 15°	100 lm	4.41%
0° - 30°	373 lm	16.50%
0° - 45°	745 lm	33.38%
0° - 60°	1127 lm	51.84%
0° - 75°	1448 lm	68.96%
0° - 90°	1669 lm	82.74%

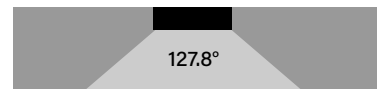
#### FOOT CANDLES

Distance	Foot Candles
1'	477 fcd
1.5'	212 fcd
2'	119 fcd
2.5'	76 fcd
3'	53 fcd
4'	30 fcd
5'	19 fcd
6'	13 fcd
9'	6 fcd
12'	3 fcd

#### ANGULAR DISTRIBUTION 0 - 90°

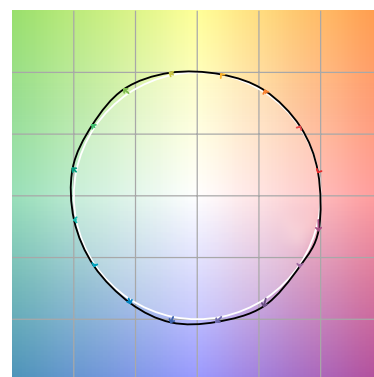


#### BEAM ANGLE



#### COLOR VECTOR GRAPHIC

Hue Bin	R <sub>t</sub>	Graphic shifts (%)	
		Chroma	Hue
1	96	0%	0%
2	97	1%	0%
3	95	1%	2%
4	96	0%	0%
5	95	2%	2%
6	92	5%	1%
7	95	3%	0%
8	94	3%	-2%
9	96	2%	0%
10	97	1%	1%
11	94	2%	3%
12	91	5%	-1%
13	92	3%	-5%
14	91	4%	-5%
15	95	1%	-1%
16	89	2%	-8%



Reference Test