

Lavino Nano Linear Wall Washer

Specification Submittal

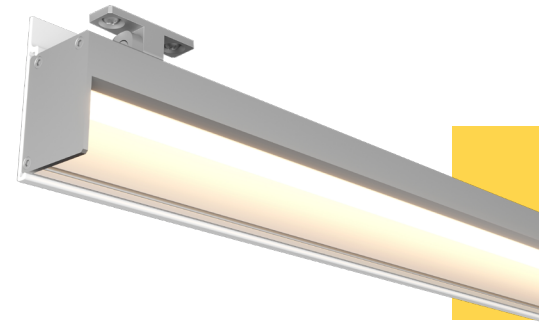
Lavino is a compact and powerful wall washer with advanced optics by LEDiL®, designed to wash walls up to 12 feet and taller with an asymmetric beam angle. Lavino includes a patent-pending paintable fixture cover that can bridge up to 150 feet of individual fixtures to create a continuous monolithic fixture look without unsightly seams, or mounts showing. Painting the pre-primed fixture cover to color-match the ceiling will allow the fixture to blend in with its surroundings. Perfect for both accentuation and broad illumination, Lavino blends style with functionality to transform any space.

Project Name:

Project Location:

Fixture Type:

SKUs:

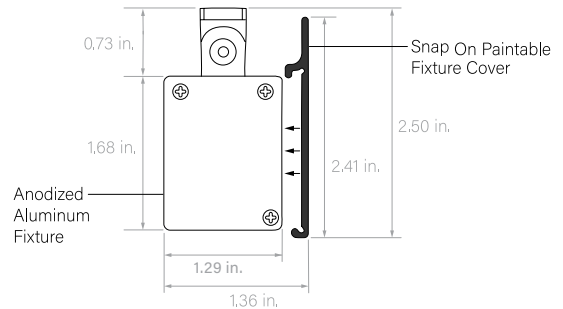


Features & Benefits



- Washes a wall with light through the use of advanced optics by LEDiL
- Powerful output options up to 1,500 lumens per foot
- Continuous fixture lengths up to 8 ft.
- Continuous, paintable fixture cover for spanning multiple fixtures up to 150 feet
- High R9 and R13 values
- Pivoting and lockable mounting hardware allow the fixture to be mounted at the best angle for maximum effect
- Canopy kit options available
- Complete UL listed luminaire

Dimensions

Fixture Cross Section



System Builder choose one option for each step.

Prefix	Location	Output	CCT	Lens	Canopy Kit	Finish	Length	Lead	Lead Length
OP-SFU-LAV-	I			ASYM		ALU		1LEAD	
	I Indoor	L3 364 lm/ft* (4.2W) L5 544 lm/ft* (6.6W) L7 706 lm/ft* (7.6W) L9 900 lm/ft* (9.6W) L11 1130 lm/ft* (12W) L14 1405 lm/ft* (15.2W) <i>* This is for a 3000K tape light</i>	2200K 2400K 2700K 3000K 3500K 4000K 5000K		250 2.5 in. Diameter canopy <i>For mounting directly to the wall. (No junction box)</i> 500 5 in. Diameter canopy <i>For mounting with the use of a junction box.</i>		XXX Length in 1 in. increments - The fixtures come in segments up to 96 in. - Fixtures up to 96 in. will be assembled at the factory - If over 96 in., multiple segments of the profile will be supplied.	1LEAD One lead  - By default leads come out the end of the fixture. If the lead length is followed by the letter "T" it means the lead will come out the TOP of the fixture 	XXX 1-120 in.

Fixtures are supplied with Optique's remote Universal power supply supporting 0-10, 1-10V, MLV, ELV dimming and voltage input from 100V-277V.

Lavino Nano Linear Wall Washer

Specification Submittal

✦ Output

Indoor

White Light

L-Level		L3	L5	L7	L9	L11	L14
Lumens (per ft.)	3000K	364	544	706	900	1130	1405
Wattage* (per ft.)		4.2	6.6	7.6	9.6	12.0	15.2
Max Run Length** (ft.)		22	14	12	10	8	6

**Power consumption based on average wattage per foot.*

***Maximum individual fixture length per power feed.*

Lavino Nano Linear Wall Washer

Specification Submittal

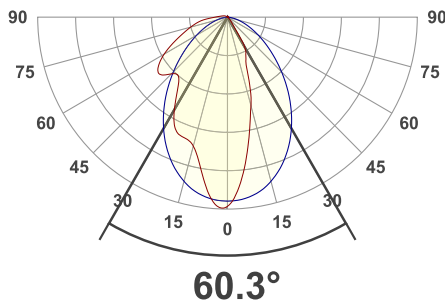
✦ Photometry

Lavino Nano Linear Wall Washer

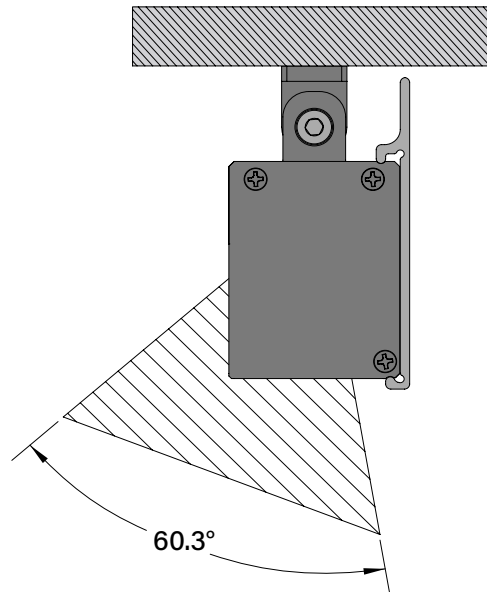
LUMEN SUMMARY

Zone	Lumens	% Fixture
0° - 15°	169 lm	12.03%
0° - 30°	512 lm	36.44%
0° - 45°	846 lm	60.21%
0° - 60°	1116 lm	79.43%
0° - 75°	1293 lm	92.03%
0° - 90°	1367 lm	97.30%

ANGULAR DISTRIBUTION 0 - 90°

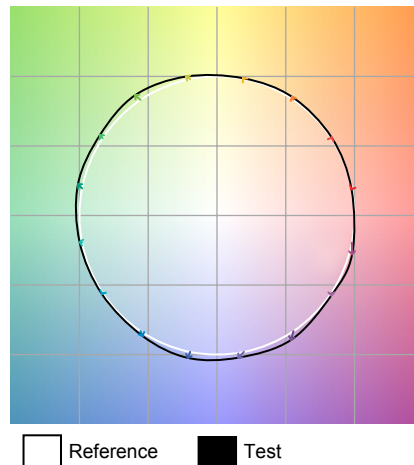


BEAM ANGLE



COLOR VECTOR GRAPHIC

Hue Bin	R _r	Graphic shifts (%)	
		Chroma	Hue
1	96	0%	-1%
2	97	0%	0%
3	95	1%	2%
4	96	0%	1%
5	95	2%	3%
6	92	5%	1%
7	95	3%	-1%
8	94	3%	-2%
9	96	2%	-1%
10	97	1%	1%
11	94	2%	3%
12	91	5%	-1%
13	92	3%	-5%
14	92	4%	-5%
15	95	1%	-2%
16	90	2%	-8%



Lavino Nano Linear Wall Washer

Specification Submittal

✦ Photometry

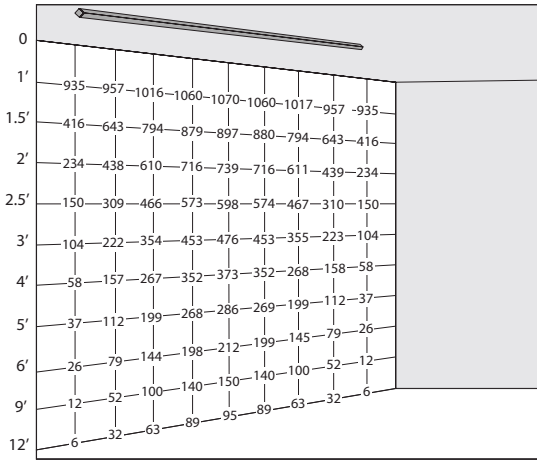
FOOT CANDLES

3000K Lavino Nano Linear Wall Washer

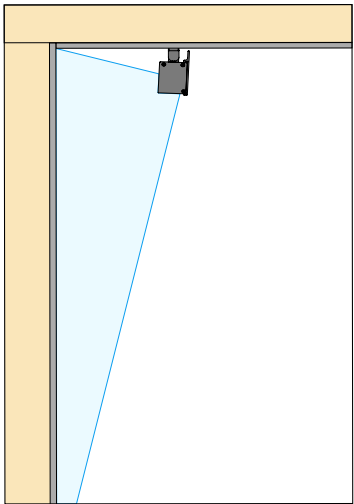
Distance	Foot Candles
1'	935 fcd
1.5'	416 fcd
2'	234 fcd
2.5'	150 fcd
3'	104 fcd
4'	58 fcd
5'	37 fcd
6'	26 fcd
9'	12 fcd
12'	6 fcd

DISTRIBUTION OF FOOT CANDLES

8 ft., 3000K Lavino Nano Linear Wall Washer



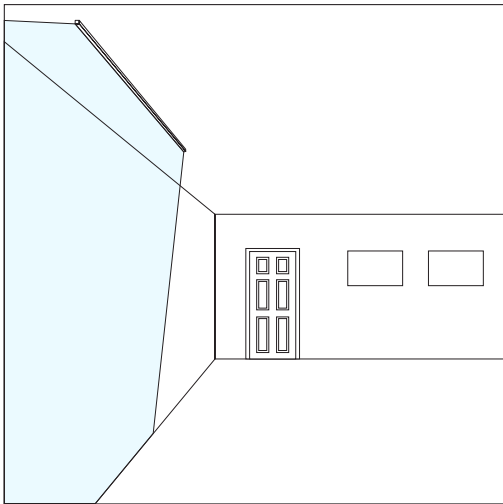
LIGHT DISTRIBUTION



Side view

LIGHT DISTRIBUTION

8 ft., 3000K Lavino Nano Linear Wall Washer



Isometric view