

OPTIQUE

Velino.0 Recessed

Mud-In - Dark Optics



Velino.0 Recessed

Mud-In - Dark Optics

Specification Submittal

A trimless mud-in luminaire designed for minimal visual impact and exceptional visual comfort. Featuring advanced dark optics, Velino.0 Recessed Mud-In delivers clean, glare-free illumination with a low-brightness appearance while blending seamlessly into the surrounding architecture.

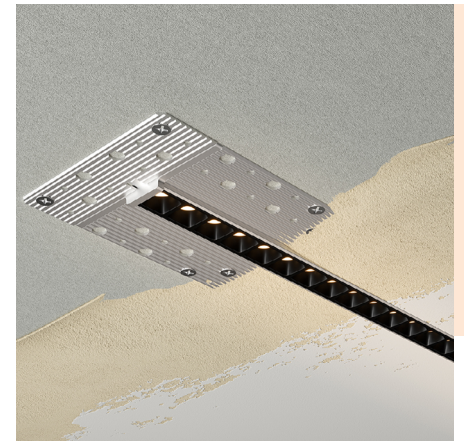


Project Name:

Project Location:

Fixture Type:

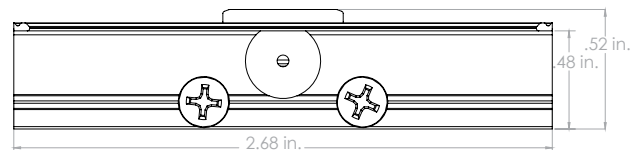
SKUs:



⚙️ Features & Benefits

- Trimless mud-in recessed design for seamless architectural integration
- Dark Optics deliver clean, glare-free light even at high output
- Dark Optics hide the light source, providing a natural, unobtrusive ambience
- Ultra-compact profile ideal for clean, modern ceiling or wall applications
- Available in 4 ft. and 8 ft. lengths, or custom sizes up to 100 in. for continuous runs
- Available in anodized aluminum or matte black
- 24V DC operation; compatible with Triac, DALI, ELV, 0-10V, DMX, Casambi, and Silvair controls
- Factory-assembled up to 100 in. for faster installation and cost-efficient shipping
- Superior color rendering
- High R9 and R13 values
- Complete UL Listed Luminaire

📏 Fixture Dimensions



Fixture Cross Section

Velino.0 Recessed

Mud-In - Dark Optics

Specification Submittal



i Luminaire System Builder

Prefix	Location	Mount	Optics	Output	CCT	Finish	Length	Leads	Lead Length 1	Lead Length 2
OP-REC-V0	I	RM	<p><i>Dark Optics*</i></p> <p>DN Dark Optic Narrow - (~30° medium beam)</p> <p>DW Dark Optic Wide - (~60° wide beam)</p>	<p><i>White Light</i></p> <p>L7 700± lm/ft (4W)</p> <p>L10 1000± lm/ft (6W)</p>	<p><i>White Light</i></p> <p>2700K 3000K 3500K 4000K</p>	<p>ALU Anodized Aluminum</p> <p>GLW Powder Coated Gloss White</p> <p>ABL Anodized Matte Black</p> <p>RALXXXX Specify Color</p>	<p><i>Standard Fixture Lengths**</i></p> <p>XX Length in 1 ft. increments</p> <p>- The fixtures come in segments up to 8 ft.</p> <p>XXX Module-length multiples</p>	<p>1LEAD One lead</p> <p>2LEAD Two leads</p>	<p>XXX 1-120 in.</p>	<p>XXX 1-120 in.</p>

*Dark optic modules are based on a fixed module length of 11.02" (280 mm).

**Standard fixtures are ordered in 1 ft increments and may include non-illuminated sections (covers). Custom configurations can be specified in module-length multiples for continuous runs.

Length refers to luminaire length without endcaps. Optical modules and accessories may not align exactly with the final luminaire dimensions. End caps add additional length to the overall fixture.

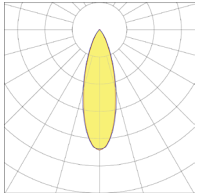
Velino.0 Recessed

Mud-In - Dark Optics

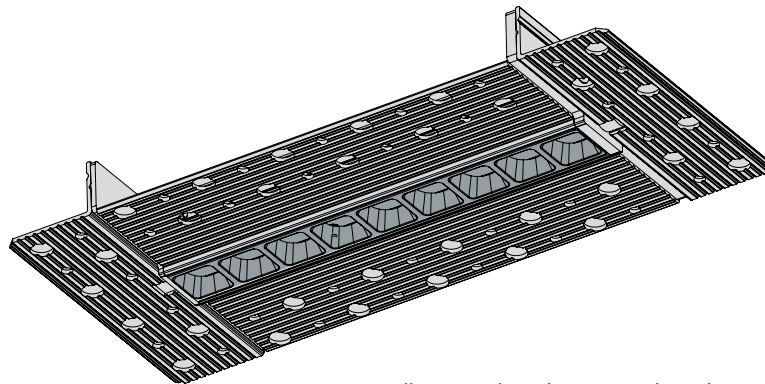
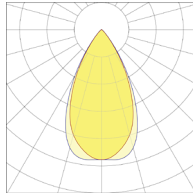
Specification Submittal

i Dark Optics Options

DN
Dark Optic "Narrow"- (30° medium beam)



DW
Dark Optic "Wide" - (60° wide beam)



Velino.0 Mud-In Fixture - Dark Optics

Velino.0 Recessed

Mud-In - Dark Optics

Specification Submittal

Output, DN & DW

Indoor, Dark Optic "Narrow"- (30° medium beam)

White Light

Output (lm/ft)	L7	L10	
Lumens (per ft.)	2700K	437.27	615.13
	3000K	471.27	671.00
	3500K	517.20	740.11
	4000K	536.80	754.01
Wattage (per ft.)	4.36	6.52	

Indoor, Dark Optic "Wide" - (60° wide beam)

White Light

Output (lm/ft)	L7	L10	
Lumens (per ft.)	2700K	474.80	667.93
	3000K	511.73	728.60
	3500K	561.60	803.64
	4000K	582.88	818.73
Wattage (per ft.)	4.36	6.52	

**Maximum individual fixture per power feed.*

Velino.0 Recessed

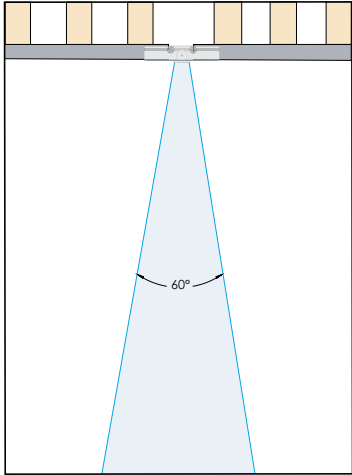
Mud-In - Dark Optics

Specification Submittal

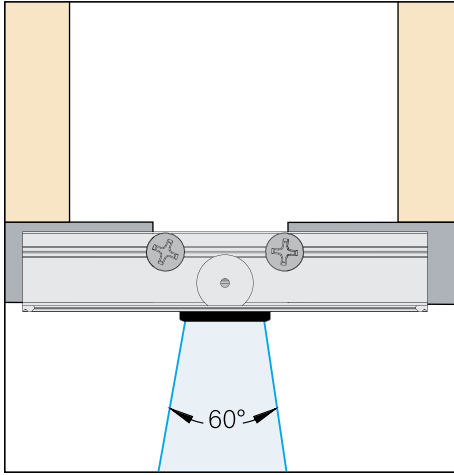
◆ Photometry

LIGHT DISTRIBUTION

Velino.0 Recessed Mud-In - Dark Optics

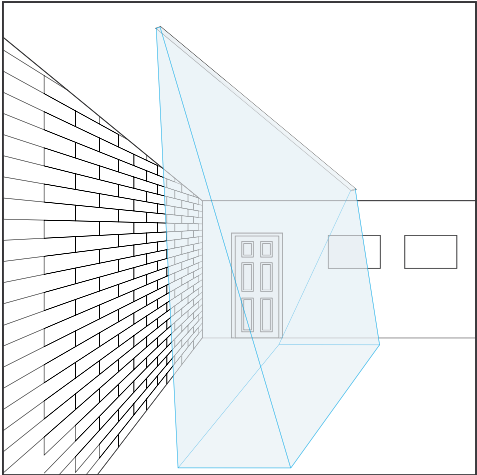


Side view



LIGHT DISTRIBUTION

Velino.0 Recessed Mud-In - Dark Optics



Light spread representation

Velino.0 Recessed

Mud-In - Dark Optics

Specification Submittal

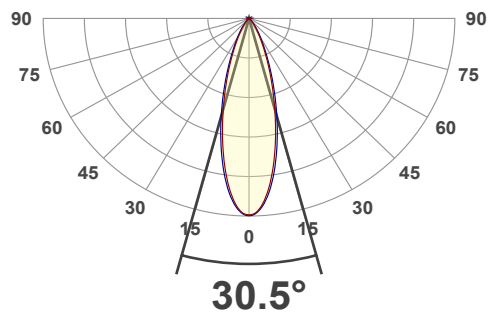
◆ Photometry

DN = Dark Optic "Narrow"- (30° medium beam), L10 - 3500K

LUMEN SUMMARY

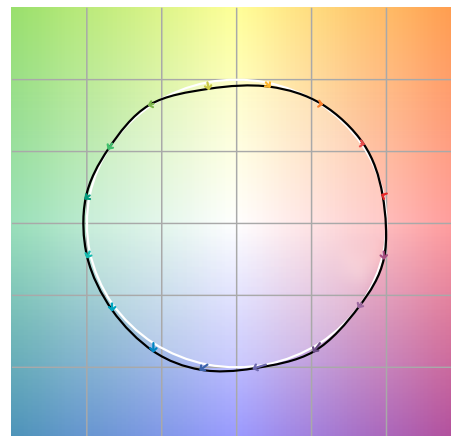
Zone	Lumens	% Fixture
75° - 90°	0.321 lm	0.04%
60° - 75°	1.91 lm	0.27%
45° - 60°	12.4 lm	1.73%
30° - 45°	95.2 lm	13.26%
15° - 30°	305 lm	42.48%
0° - 15°	299 lm	41.64%

ANGULAR DISTRIBUTION



COLOR VECTOR GRAPHIC

Hue Bin	R_f	Graphic shifts (%)	
		Chroma	Hue
1	95	-1%	1%
2	96	1%	-1%
3	94	1%	-1%
4	94	-2%	-3%
5	93	-5%	0%
6	95	1%	3%
7	93	0%	4%
8	93	2%	3%
9	94	2%	3%
10	93	3%	4%
11	92	5%	3%
12	88	4%	-4%
13	89	1%	-8%
14	90	3%	-7%
15	90	0%	-3%
16	90	1%	-5%



Reference Test

Velino.0 Recessed

Mud-In - Dark Optics

Specification Submittal

✦ Photometry

DN = Dark Optic "Narrow"- (30° medium beam), L10 - 3500K

UGR

Light Planning – UGR table

Uncorrected, comprehensive UGR table according to 117-1995

Reflectances						
	ρ Ceiling	70	70	50	50	30
	ρ Walls	50	30	50	30	30
	ρ Floor	20	20	20	20	20
Room size		Viewed Crosswise				
H = mounting height above eye level		(Viewing direction orthogonal to lamp length axis)				
X	Y					
2H	2H	9.5	10.0	9.6	10.2	10.4
	3H	9.2	9.8	9.5	10.0	10.2
	4H	9.1	9.7	9.5	10.0	10.2
	6H	9.1	9.6	9.4	9.9	10.3
	8H	9.0	9.5	9.3	9.9	10.3
	12H	9.0	9.5	9.3	9.8	10.2
4H	2H	9.1	9.7	9.5	10.0	10.2
	3H	9.0	9.5	9.3	9.8	10.3
	4H	8.8	9.3	9.3	9.7	10.2
	6H	8.8	9.3	9.3	9.6	10.0
	8H	8.7	9.2	9.2	9.5	9.9
	12H	8.6	9.0	9.1	9.4	9.9
8H	4H	8.7	9.2	9.2	9.5	9.9
	6H	8.6	8.9	9.1	9.4	9.9
	8H	8.6	8.9	9.1	9.4	10.0
	12H	8.6	8.8	9.2	9.3	9.9
12H	4H	8.6	9.0	9.1	9.4	9.9
	6H	8.6	8.9	9.1	9.4	10.0
	8H	8.6	8.8	9.2	9.3	9.9
Variations with the observer position for the luminaire spacings, S:						
S = 1.0H		4.7 / -10.8				
S = 1.5H		7.2 / -14.4				
S = 2.0H		9.1 / -18.9				

Velino.0 Recessed

Mud-In - Dark Optics

Specification Submittal

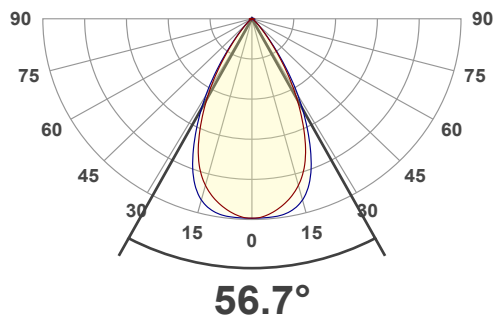
◆ Photometry

DW = Dark Optic "Wide" - (60° wide beam), L10 - 3500K

LUMEN SUMMARY

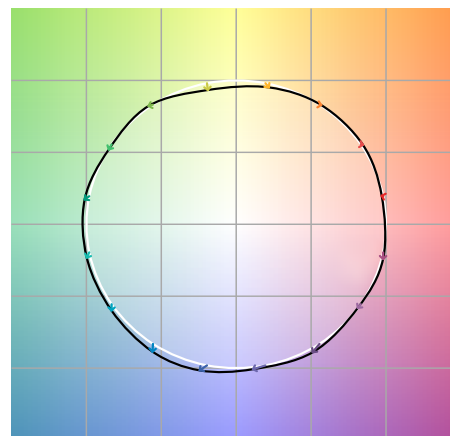
Zone	Lumens	% Fixture
75° - 90°	0.265 lm	0.03%
60° - 75°	1.40 lm	0.18%
45° - 60°	20.8 lm	2.63%
30° - 45°	178 lm	22.53%
15° - 30°	395 lm	50.00%
0° - 15°	190 lm	24.05%

ANGULAR DISTRIBUTION



COLOR VECTOR GRAPHIC

Hue Bin	R_f	Graphic shifts (%)	
		Chroma	Hue
1	95	-1%	0%
2	96	1%	-1%
3	94	0%	-1%
4	94	-2%	-3%
5	93	-5%	0%
6	95	1%	3%
7	93	0%	4%
8	94	3%	3%
9	94	2%	3%
10	94	2%	4%
11	92	5%	3%
12	88	4%	-4%
13	89	1%	-9%
14	90	2%	-7%
15	90	0%	-3%
16	90	1%	-5%



Reference Test

Velino.0 Recessed

Mud-In - Dark Optics

Specification Submittal

◆ Photometry

DW = Dark Optic "Wide" - (60° wide beam), L10 - 3500K

UGR

Light Planning – UGR table

Uncorrected, comprehensive UGR table according to 117-1995

Reflectances						
	ρ Ceiling	70	70	50	50	30
	ρ Walls	50	30	50	30	30
	ρ Floor	20	20	20	20	20
Room size		Viewed Crosswise				
H = mounting height above eye level		(Viewing direction orthogonal to lamp length axis)				
X	Y					
2H	2H	13.6	14.2	13.7	14.5	14.7
	3H	13.3	14.1	13.7	14.3	14.5
	4H	13.2	14.0	13.6	14.2	14.4
	6H	13.2	13.8	13.5	14.1	14.5
	8H	13.2	13.8	13.5	14.1	14.5
	12H	13.1	13.7	13.5	14.0	14.5
4H	2H	13.2	14.0	13.6	14.2	14.4
	3H	13.1	13.7	13.5	14.0	14.5
	4H	13.0	13.5	13.4	13.9	14.5
	6H	12.9	13.5	13.4	13.8	14.1
	8H	12.8	13.3	13.4	13.7	14.1
	12H	12.8	13.2	13.3	13.6	14.1
8H	4H	12.8	13.3	13.4	13.7	14.1
	6H	12.8	13.1	13.3	13.6	14.1
	8H	12.8	13.0	13.3	13.6	14.2
	12H	12.7	12.9	13.3	13.4	14.1
12H	4H	12.8	13.2	13.3	13.6	14.1
	6H	12.8	13.0	13.3	13.6	14.2
	8H	12.7	12.9	13.3	13.4	14.1
Variations with the observer position for the luminaire spacings, S:						
S = 1.0H		4.9 / -13.0				
S = 1.5H		7.5 / -21.5				
S = 2.0H		9.5 / -24.6				