

OPTIQUE

Velino.0 T-Grid Recessed

T-Grid Recessed- Dark Optics - Recessed



Velino.0 T-Grid Recessed

T-Grid Recessed - Dark Optics - Recessed

Specification Submittal

A discreet recessed linear luminaire precision-engineered for seamless integration into T-Grid ceiling panels. Recessing directly into the tile allows compatibility with any T-Grid size or profile, providing unmatched flexibility across ceiling systems. Featuring advanced dark optics and refined finishes, it delivers controlled, glare-free illumination while preserving a clean, uninterrupted ceiling plane with minimal visual brightness.

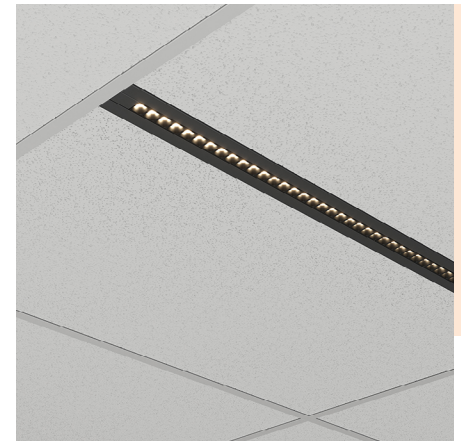


Project Name:

Project Location:

Fixture Type:

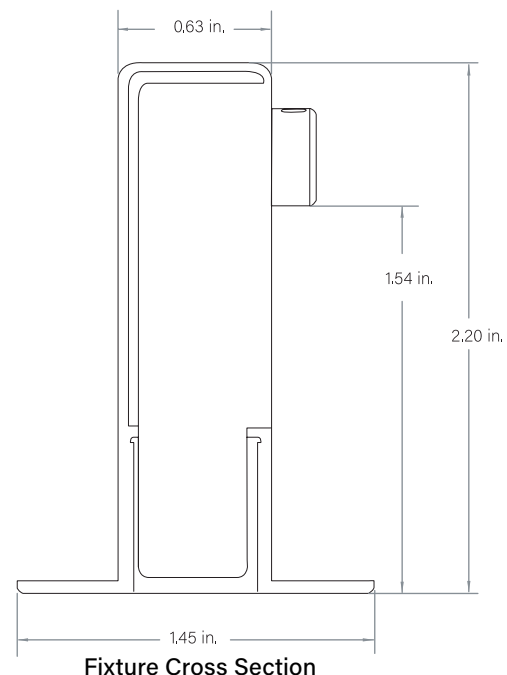
SKUs:



⚙️ Features & Benefits

- Recessed into the ceiling panel for compatibility with lay-in or regular t-grid
- Dark Optics deliver clean, glare-free light even at high output
- Dark Optics hide the light source, providing a natural, unobtrusive ambience
- Maintains a clean, flush architectural appearance with minimal visual interruption
- Available in 2 ft. and 4 ft. lengths to fit 2x2 ft. and 2x4 ft. ceiling grids
- Select configuration for either 9/16" or 15/16" suspended ceiling beams
- Available in anodized aluminum, matte black, gloss white, or special order RAL colors
- 24V DC operation; compatible with Triac, DALI, ELV, 0-10V, DMX, Casambi, and Silvar controls
- Factory-assembled up to 100 in. for faster installation and cost-efficient shipping
- Superior color rendering
- High R9 and R13 values
- Complete UL Listed Luminaire

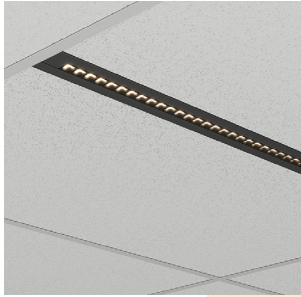
📏 Fixture Dimensions








Velino.0 T-Grid Recessed

T-Grid Recessed - Dark Optics - Recessed

Specification Submittal



i Luminaire System Builder

Prefix	Location	Mount	Optics	Output	CCT	Finish	Length	Leads	Lead Length 1	Lead Length 2
OP-REC-V0	I									
		RT9 9/16"	Dark Optics*	White Light	White Light		2 FT Compatible with 2 feet T-Grids	1LEAD One lead	XXX 1-120 in.	XXX 1-120 in.
		RT15 15/16"	DN Dark Optic Narrow - (~30° medium beam)	L7 700± lm/ft (4W)	2700K 3000K 3500K 4000K	ALU Anodized Aluminum	4 FT Compatible with 4 feet T-Grids			
			DW Dark Optic Wide - (~60° wide beam)	L10 1000± lm/ft (6W)				2LEAD Two leads		
										
						RALXXXX Specify Color				

*Dark optic modules are based on a fixed module length of 11.02" (280 mm).
Standard fixtures are ordered in 1 ft increments and may include non-illuminated sections (covers). Custom configurations can be specified in module-length multiples for continuous runs.

Velino.0 T-Grid Recessed

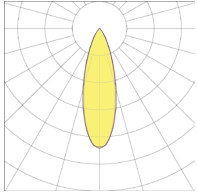
T-Grid Recessed - Dark Optics - Recessed

Specification Submittal

i Dark Optics Options

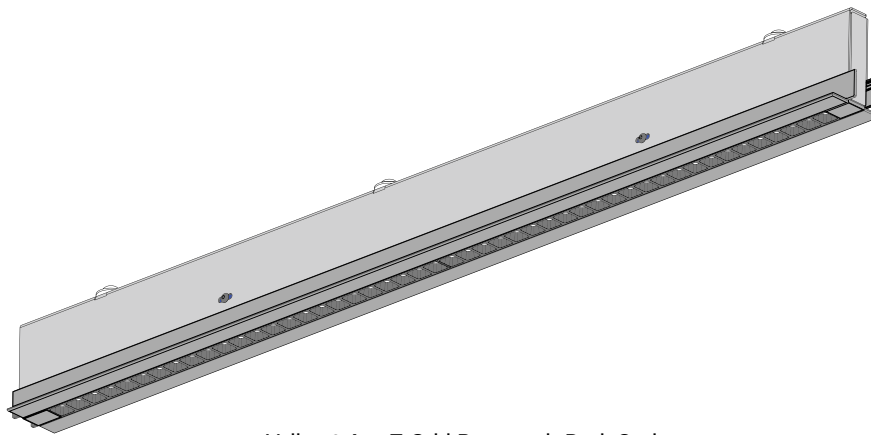
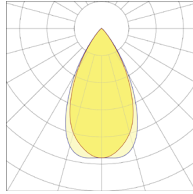
DN

Dark Optic "Narrow"- (30° medium beam)



DW

Dark Optic "Wide" - (60° wide beam)



Velino.0 Any T-Grid Recessed- Dark Optics

Velino.0 T-Grid Recessed

T-Grid Recessed - Dark Optics - Recessed

Specification Submittal



Output, DN & DW

Indoor, Dark Optic "Narrow"- (30° medium beam)

Output (lm/ft)		L7	L10
Lumens (per ft.)	2700K	437.27	615.13
	3000K	471.27	671.00
	3500K	517.20	740.11
	4000K	536.80	754.01
Wattage (per ft.)		4.36	6.52

Indoor, Dark Optic "Wide" - (60° wide beam)

Output (lm/ft)		L7	L10
Lumens (per ft.)	2700K	474.80	667.93
	3000K	511.73	728.60
	3500K	561.60	803.64
	4000K	582.88	818.73
Wattage (per ft.)		4.36	6.52

**Maximum individual fixture per power feed.*

Velino.0 T-Grid Recessed

Any T-Grid - Dark Optics - Recessed

Specification Submittal

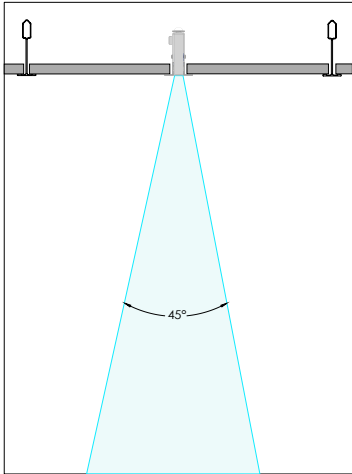
◆ Photometry

LIGHT DISTRIBUTION

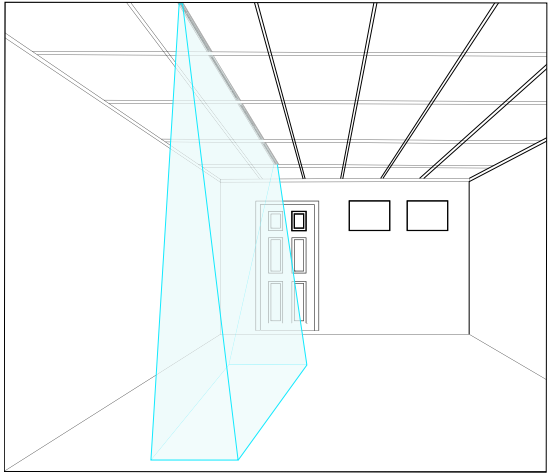
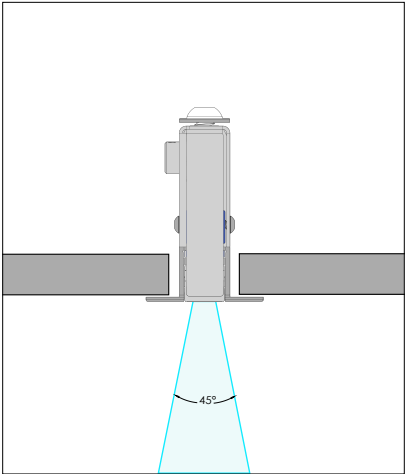
Velino Any T-Grid - Dark Optics - Recessed

LIGHT DISTRIBUTION

Velino Any T-Grid - Dark Optics - Recessed



Side view



Light spread representation

Velino.0 T-Grid Recessed

Any T-Grid - Dark Optics - Recessed

Specification Submittal

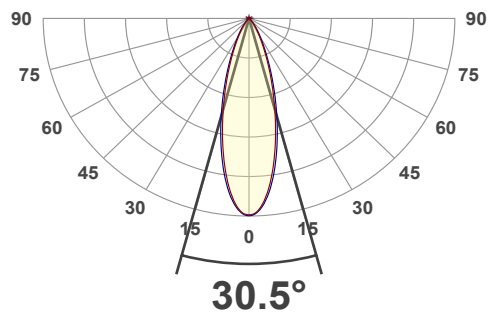
◆ Photometry

DN = Dark Optic "Narrow"- (30° medium beam), L10 - 3500K

LUMEN SUMMARY

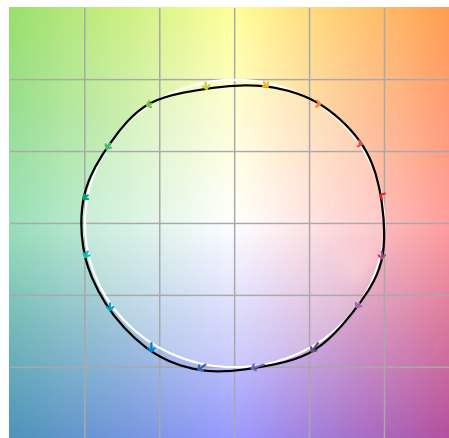
Zone	Lumens	% Fixture
75° - 90°	0.321 lm	0.04%
60° - 75°	1.91 lm	0.27%
45° - 60°	12.4 lm	1.73%
30° - 45°	95.2 lm	13.26%
15° - 30°	305 lm	42.48%
0° - 15°	299 lm	41.64%

ANGULAR DISTRIBUTION



COLOR VECTOR GRAPHIC

Hue Bin	R_f	Graphic shifts (%)	
		Chroma	Hue
1	95	-1%	1%
2	96	1%	-1%
3	94	1%	-1%
4	94	-2%	-3%
5	93	-5%	0%
6	95	1%	3%
7	93	0%	4%
8	93	2%	3%
9	94	2%	3%
10	93	3%	4%
11	92	5%	3%
12	88	4%	-4%
13	89	1%	-8%
14	90	3%	-7%
15	90	0%	-3%
16	90	1%	-5%



Reference Test

Velino.0 T-Grid Recessed

Any T-Grid - Dark Optics - Recessed

Specification Submittal

✦ Photometry

DN = Dark Optic "Narrow"- (30° medium beam), L10 - 3500K

UGR

Light Planning – UGR table

Uncorrected, comprehensive UGR table according to 117-1995

Reflectances						
	ρ Ceiling	70	70	50	50	30
	ρ Walls	50	30	50	30	30
	ρ Floor	20	20	20	20	20
Room size		Viewed Crosswise				
H = mounting height above eye level		(Viewing direction orthogonal to lamp length axis)				
X	Y					
2H	2H	9.5	10.0	9.6	10.2	10.4
	3H	9.2	9.8	9.5	10.0	10.2
	4H	9.1	9.7	9.5	10.0	10.2
	6H	9.1	9.6	9.4	9.9	10.3
	8H	9.0	9.5	9.3	9.9	10.3
	12H	9.0	9.5	9.3	9.8	10.2
4H	2H	9.1	9.7	9.5	10.0	10.2
	3H	9.0	9.5	9.3	9.8	10.3
	4H	8.8	9.3	9.3	9.7	10.2
	6H	8.8	9.3	9.3	9.6	10.0
	8H	8.7	9.2	9.2	9.5	9.9
	12H	8.6	9.0	9.1	9.4	9.9
8H	4H	8.7	9.2	9.2	9.5	9.9
	6H	8.6	8.9	9.1	9.4	9.9
	8H	8.6	8.9	9.1	9.4	10.0
	12H	8.6	8.8	9.2	9.3	9.9
12H	4H	8.6	9.0	9.1	9.4	9.9
	6H	8.6	8.9	9.1	9.4	10.0
	8H	8.6	8.8	9.2	9.3	9.9
Variations with the observer position for the luminaire spacings, S:						
S = 1.0H		4.7 / -10.8				
S = 1.5H		7.2 / -14.4				
S = 2.0H		9.1 / -18.9				

Velino.0 T-Grid Recessed

Any T-Grid - Dark Optics - Recessed

Specification Submittal

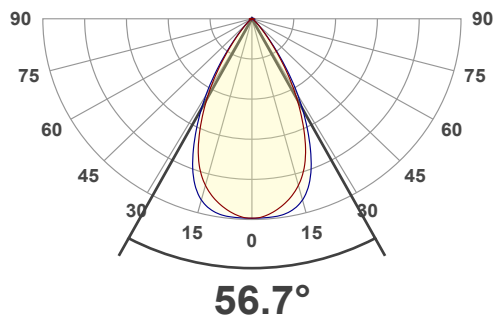
◆ Photometry

DW = Dark Optic "Wide" - (60° wide beam), L10 - 3500K

LUMEN SUMMARY

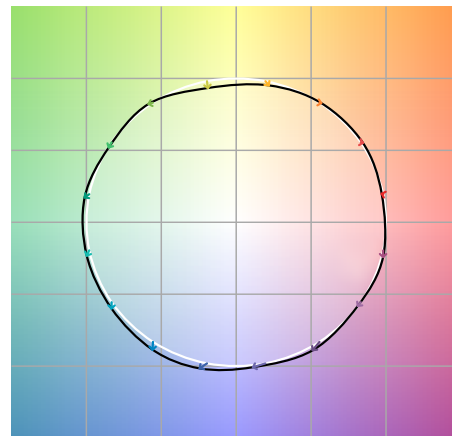
Zone	Lumens	% Fixture
75° - 90°	0.265 lm	0.03%
60° - 75°	1.40 lm	0.18%
45° - 60°	20.8 lm	2.63%
30° - 45°	178 lm	22.53%
15° - 30°	395 lm	50.00%
0° - 15°	190 lm	24.05%

ANGULAR DISTRIBUTION



COLOR VECTOR GRAPHIC

Hue Bin	R_f	Graphic shifts (%)	
		Chroma	Hue
1	95	-1%	0%
2	96	1%	-1%
3	94	0%	-1%
4	94	-2%	-3%
5	93	-5%	0%
6	95	1%	3%
7	93	0%	4%
8	94	3%	3%
9	94	2%	3%
10	94	2%	4%
11	92	5%	3%
12	88	4%	-4%
13	89	1%	-9%
14	90	2%	-7%
15	90	0%	-3%
16	90	1%	-5%



Reference Test

Velino.0 T-Grid Recessed

Any T-Grid - Dark Optics - Recessed

Specification Submittal

◆ Photometry

DW = Dark Optic "Wide" - (60° wide beam), L10 - 3500K

UGR

Light Planning – UGR table

Uncorrected, comprehensive UGR table according to 117-1995

Reflectances						
	ρ Ceiling	70	70	50	50	30
	ρ Walls	50	30	50	30	30
	ρ Floor	20	20	20	20	20
Room size		Viewed Crosswise				
H = mounting height above eye level		(Viewing direction orthogonal to lamp length axis)				
X	Y					
2H	2H	13.6	14.2	13.7	14.5	14.7
	3H	13.3	14.1	13.7	14.3	14.5
	4H	13.2	14.0	13.6	14.2	14.4
	6H	13.2	13.8	13.5	14.1	14.5
	8H	13.2	13.8	13.5	14.1	14.5
	12H	13.1	13.7	13.5	14.0	14.5
4H	2H	13.2	14.0	13.6	14.2	14.4
	3H	13.1	13.7	13.5	14.0	14.5
	4H	13.0	13.5	13.4	13.9	14.5
	6H	12.9	13.5	13.4	13.8	14.1
	8H	12.8	13.3	13.4	13.7	14.1
	12H	12.8	13.2	13.3	13.6	14.1
8H	4H	12.8	13.3	13.4	13.7	14.1
	6H	12.8	13.1	13.3	13.6	14.1
	8H	12.8	13.0	13.3	13.6	14.2
	12H	12.7	12.9	13.3	13.4	14.1
12H	4H	12.8	13.2	13.3	13.6	14.1
	6H	12.8	13.0	13.3	13.6	14.2
	8H	12.7	12.9	13.3	13.4	14.1
Variations with the observer position for the luminaire spacings, S:						
S = 1.0H		4.9 / -13.0				
S = 1.5H		7.5 / -21.5				
S = 2.0H		9.5 / -24.6				