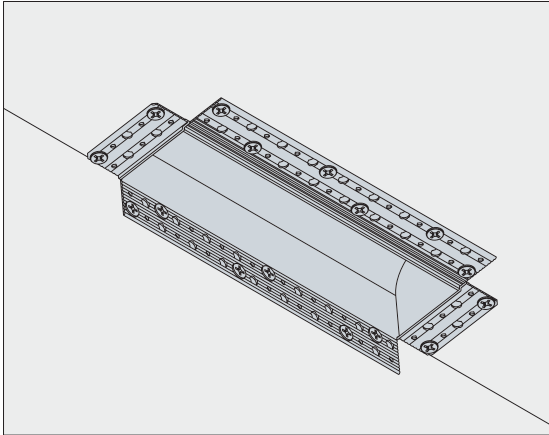


# Perifina Mud-In 2 in.

## Trimless Recessed Perimeter Cove Downlight

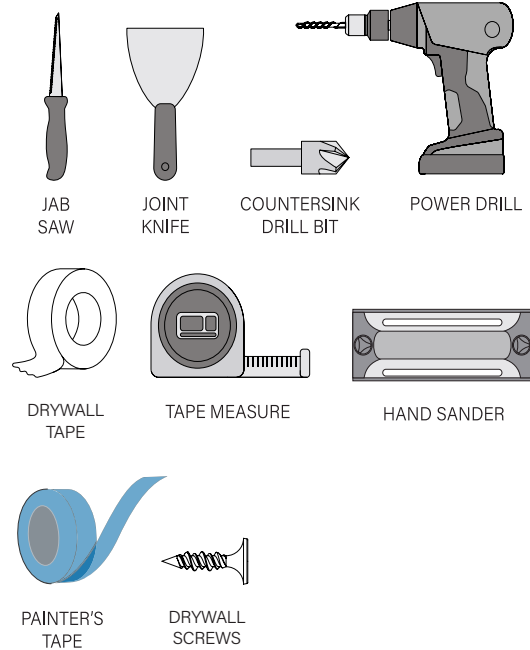


Perifina Mud-In 2 in. is a compact, ceiling-mounted recessed cove fixture with an illuminated reveal. Patent-pending design features a deep optical cavity to cast soft, indirect light down a wall, providing a beautiful wall-washing effect and a sophisticated illusion of a floating drop ceiling when installed around a room.

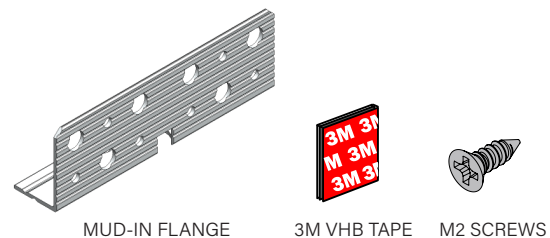
### Important Information

1. Follow NEC and local electrical codes for proper installation.
2. This product requires a 24V DC Class 2 power supply. Consult with sales at Optique for solutions.
3. Product recesses through a slot in drywall into a 2 in. high space above the ceiling plane.
4. Use the larger screw hole to attach the fixture to the drywall instead of the smaller screw holes.
5. Be careful not to over-tighten the drywall screws; tighten them just enough to secure the channel without compressing it.
6. This product can span lengths that are wall-to-wall, or be specified in shorter sections for spot lighting.

### Required Tools



### Supplied Components



The following items may vary according to the configuration, and will be provided as applicable.

# Perifina Mud-In 2 in.

## Trimless Recessed Perimeter Cove Downlight

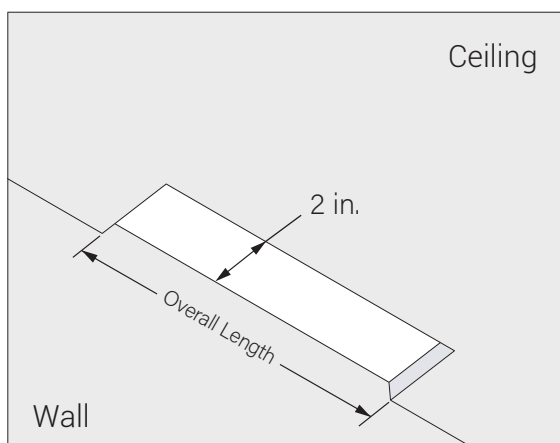
### Perifina Mud-In Luminaire Installation steps

#### 01.

Place the 24V DC Class 2 power supply in a suitable location, at the desired distance from the luminaire. Keep the power disconnected until installation is complete. Consult sales at Optique for driver and control options.

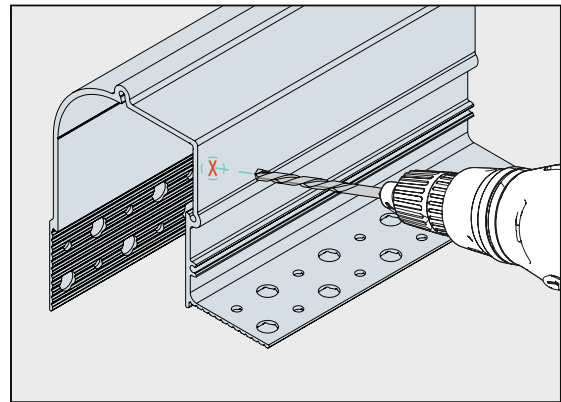
#### 02.

Cut a 2 in. opening in the ceiling drywall adjacent to the wall where the luminaire is to be located. Measure the overall length of the channel and end caps to determine the length of the opening.



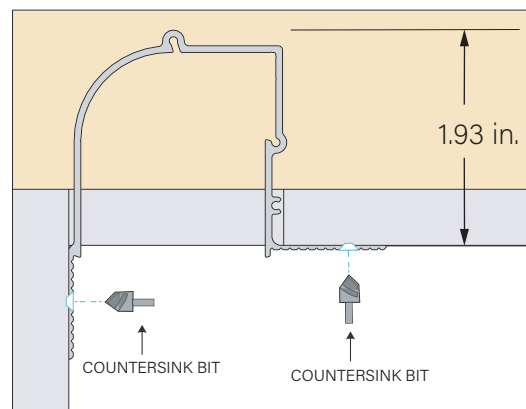
#### 03.

The LED tape will be mounted to the inside face of the luminaire sidewall. Create a 1/4 in. power-feed hole in the housing at the desired position with access to the lead power cord. Deburr any sharp edges.



#### 04.

Carefully countersink the holes in the mud-in flanges where the drywall screws will be placed. Recommended screw spacing is every 4 in.

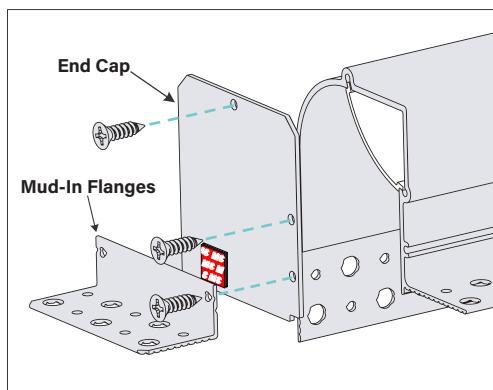


# Perifina Mud-In 2 in.

## Trimless Recessed Perimeter Cove Downlight

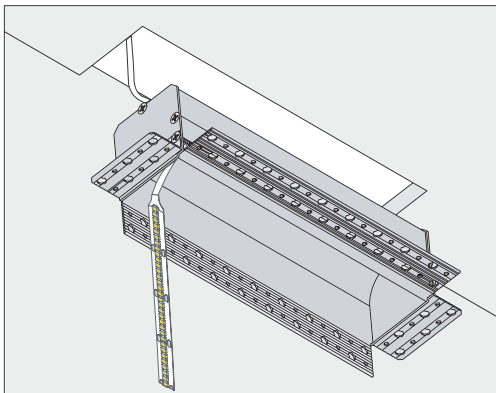
### 05.

Assemble each end cap at the ends of the luminaire with the flathead screws provided. Assemble the mud-in flange where the luminaire falls short of reaching a wall. Use a screw and the strip of VHB tape provided to hold the mud-in flange to the end cap securely.



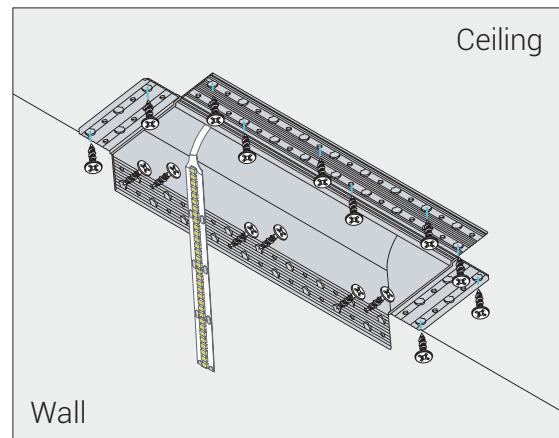
### 06.

Route the power cable from the LED tape through the power-feed hole. Locate the Positive (+) and Negative (-) and connect them to the power supply. Test to ensure the LED strip receives power before continuing.



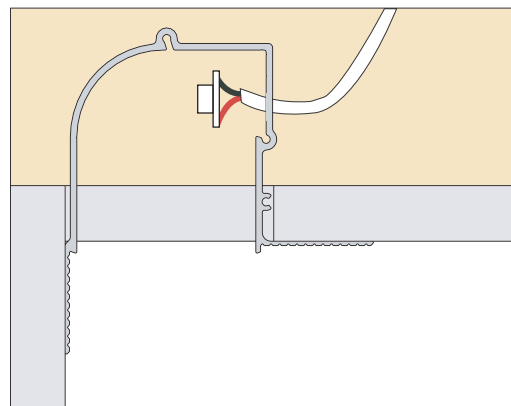
### 07.

Secure the luminaire using drywall screws at the countersink points every 4 in. Best practice is to fasten through the drywall directly into wood studs or joists behind the drywall.



### 08.

Remove the adhesive backing from the back of the LED tape. Apply the LED tape to the inside wall along the luminaire and pass the excess cable through the power-feed hole.



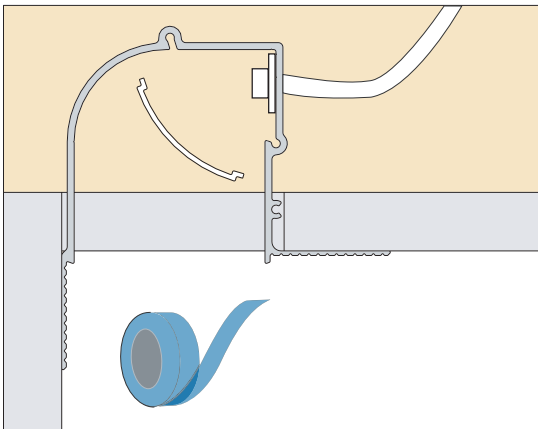
# Perifina Mud-In 2 in.

Trimless Recessed Perimeter Cove Downlight

## 09.

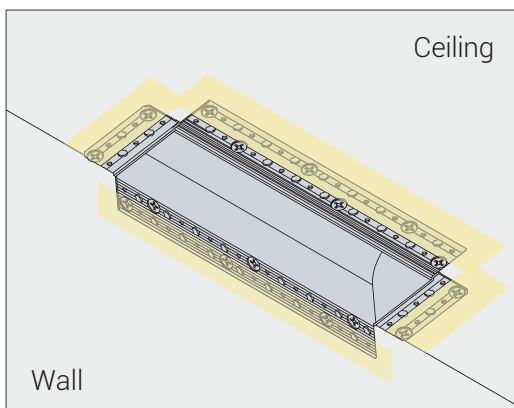
Install the LED diffuser.

To protect against joint compound and dust, apply painter's tape over the diffuser and the exposed interior surfaces of the channel.



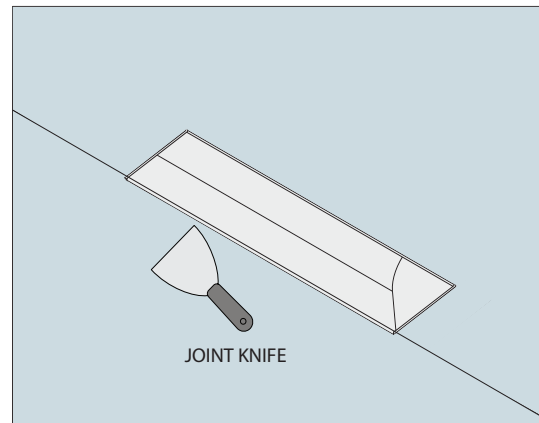
## 10.

Apply drywall tape along the edges of the luminaire to prevent the joint compound from cracking after installation, and smooth the tape flush.



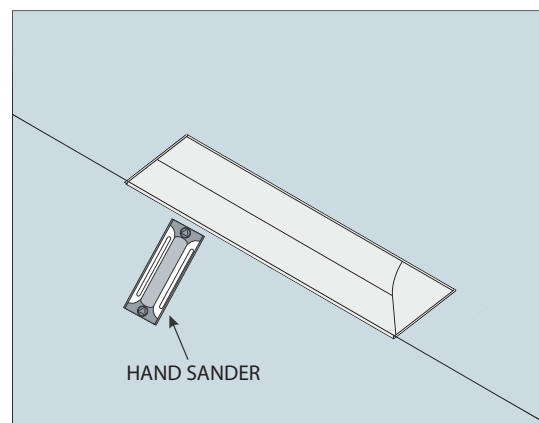
## 11.

Apply joint compound mud to the mud-in flanges with a joint knife, covering the flanges and screw heads, and smooth the mud joint along the ceiling and wall planes.



## 12.

Once dry, use the hand sander to smooth the mud to make a seamless look with the drywall. Then remove the painter's tape.



# Perifina Mud-In 2 in.

Trimless Recessed Perimeter Cove Downlight

13.

Paint or finish the wall as desired. Turn on lights.

