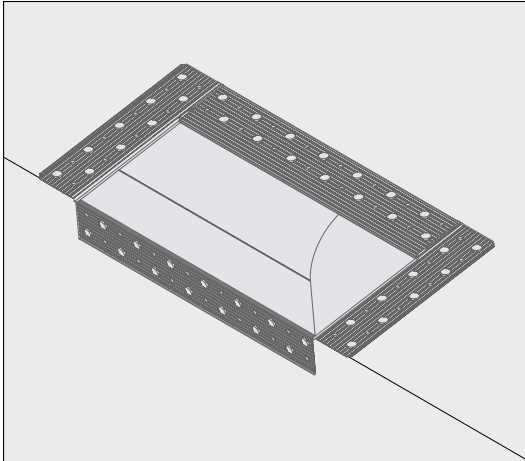


Rozino Wall Grazer Mud-In 2.5 in.

Trimless Recessed Perimeter Wall Grazer

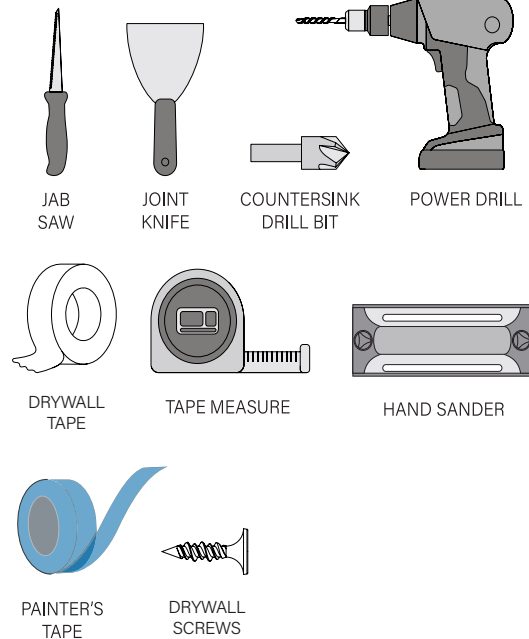


Rozino Wall Grazer Mud-In 2.5 in. is a powerful wall grazer featuring a focused 10° beam angle. Built with a curved reflector to evenly spread light down large walls, this luminaire provides a beautifully deep grazing effect and the sophisticated illusion of a floating drop ceiling when installed around a room.

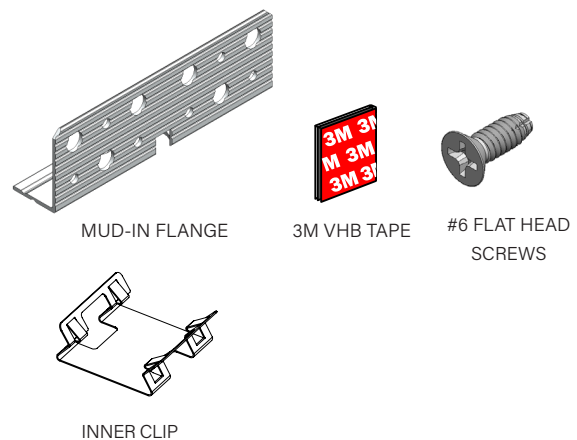
⚠ Important Information

1. Follow NEC and local electrical codes for proper installation.
2. This product requires a 24V DC Class 2 power supply. Consult with sales at Optique for solutions.
3. Product recesses through a slot in drywall into a 3 in. high space above the ceiling plane
4. Use the larger screw hole to attach the fixture to the drywall instead of the smaller screw holes.
5. Be careful not to over-tighten the drywall screws; tighten them just enough to secure the channel without compressing it.
6. This product can span lengths that are wall-to-wall, or be specified in shorter sections for spot lighting.

⚙ Required Tools



⚙ Supplied Components



The following items may vary according to the configuration, and will be provided as applicable.

Rozino Wall Grazer Mud-In 2.5 in.

Trimless Recessed Perimeter Wall Grazer

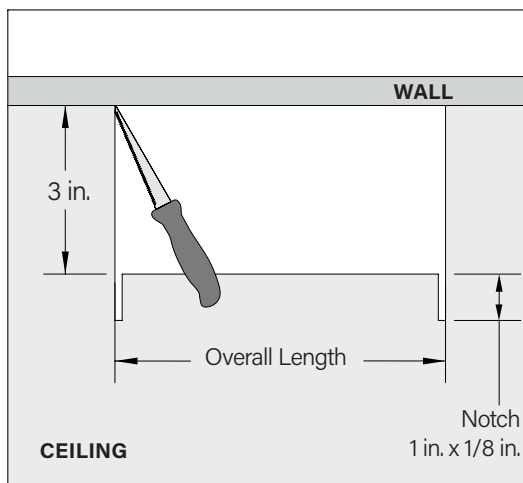
Mud-In Wall Grazer Installation steps

01.

Place the 24V DC Class 2 power supply in a suitable location, at the desired distance from the luminaire. Keep the power disconnected until installation is complete. Consult sales at Optique for driver and control options.

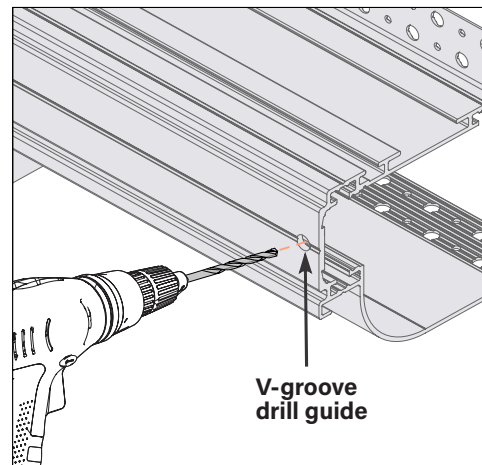
02.

Cut a 3 in. opening in the ceiling drywall adjacent to the wall where the luminaire is to be located. Measure the overall length of the channel and end caps to determine the length of the opening.



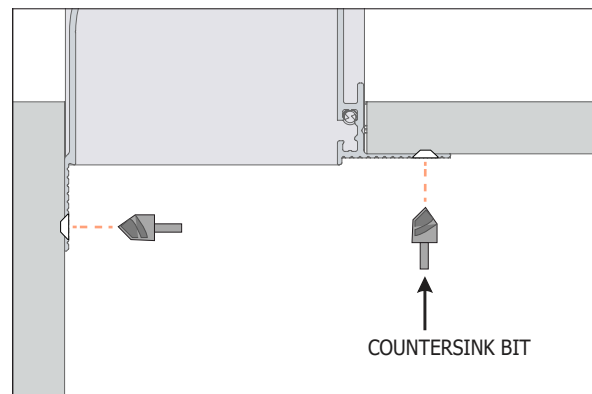
03.

Where you want power to exit out the top or sidewall of the channel's LED recess, drill a 1/4 in. hole through the V-groove drill guide to make a power-feed hole. Deburr any sharp edges.



04.

Carefully countersink the holes in the mud-in flanges where the drywall screws will be placed. Recommended screw spacing is every 4 in.

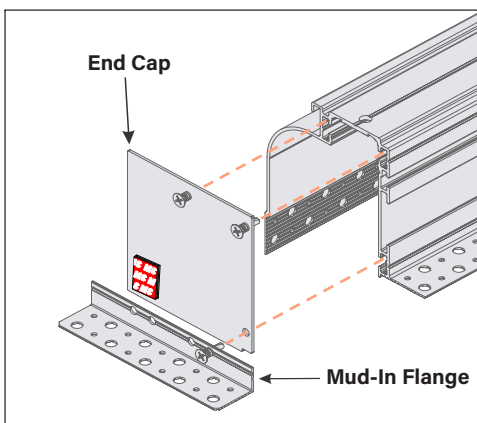


Rozino Wall Grazer Mud-In 2.5 in.

Trimless Recessed Perimeter Wall Grazer

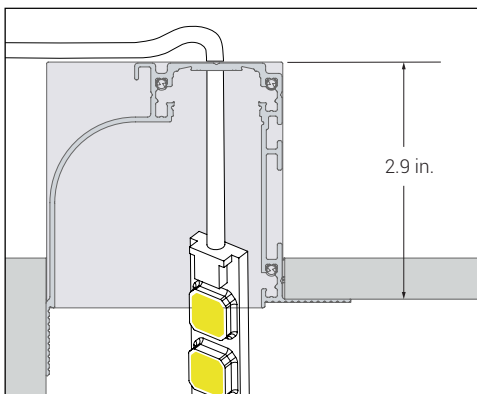
05.

Assemble each end cap at the ends of the luminaire with the flathead screws provided. Assemble the mud-in flange where the luminaire falls short of reaching a wall. Use a screw and the strip of VHB tape provided to hold the mud-in flange to the end cap securely.



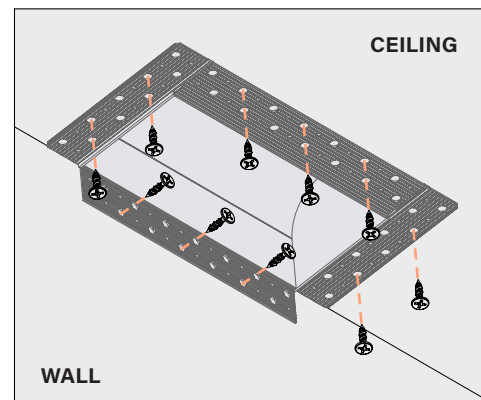
06.

Route the power cable from the LED grazer strip through the power-feed hole. Locate the Positive (+) and Negative (-) and connect them to the power supply. Test to ensure the LED strip receives power before continuing.



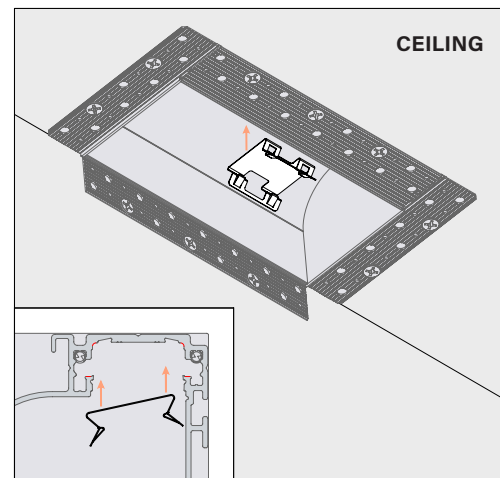
07.

Secure the luminaire using drywall screws at the countersink points every 4 in. Best practice is to fasten through the drywall directly into wood studs or joists behind the drywall.



08.

Insert the mounting clips for the LED grazer strip into the upper recess of the luminaire housing as shown below. Ensure they snap firmly into place.

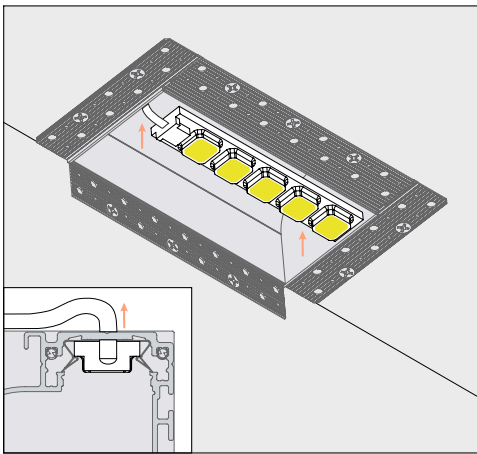


Rozino Wall Grazer Mud-In 2.5 in.

Trimless Recessed Perimeter Wall Grazer

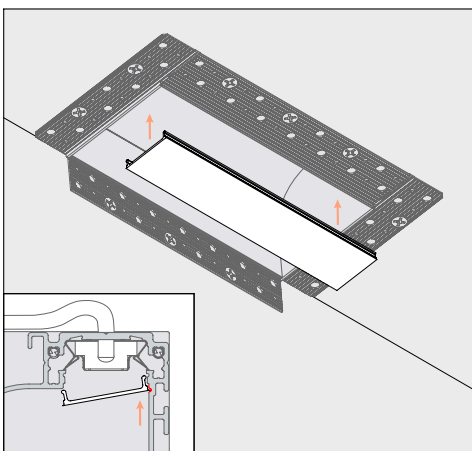
09.

Insert the LED grazer strip into the inner clips along the length of the channel to secure it properly in place and pass the excess cable through the power-feed hole.



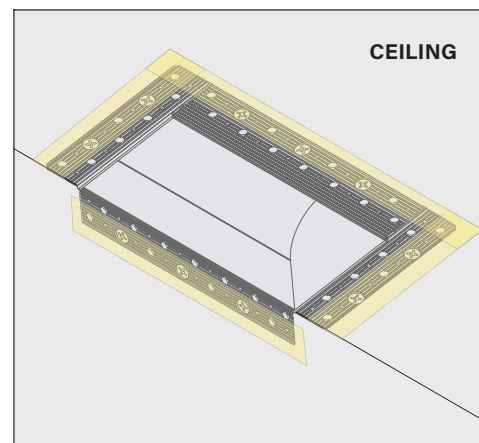
10.

Insert the diffuser until it snaps firmly in place. To protect against joint compound and dust, apply painter's tape over the diffuser and the exposed surface of the channel.



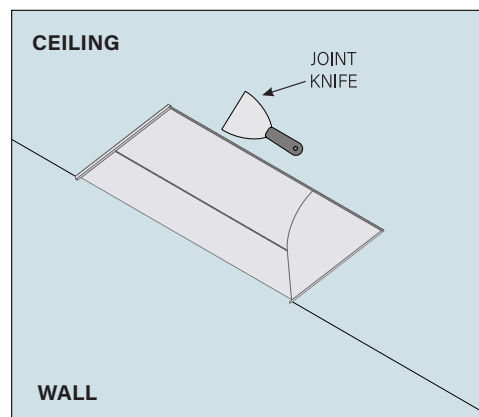
11.

Apply drywall tape along the edges of the luminaire to prevent the joint compound from cracking after installation, and smooth the tape flush.



12.

Apply joint compound mud to the mud-in flanges with a joint knife, covering the flanges and screw heads, and smooth the mud joint along the ceiling and wall planes.

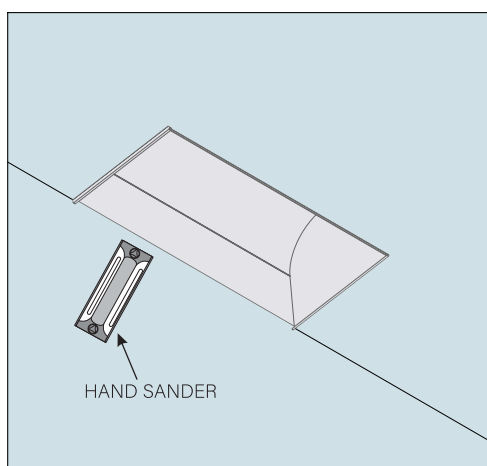


Rozino Wall Grazer Mud-In 2.5 in.

Trimless Recessed Perimeter Wall Grazer

13.

Once dry, use the hand sander to smooth the mud to make a seamless look with the drywall. Then remove the painter's tape.



14.

Paint or finish the wall as desired. Turn on lights.

